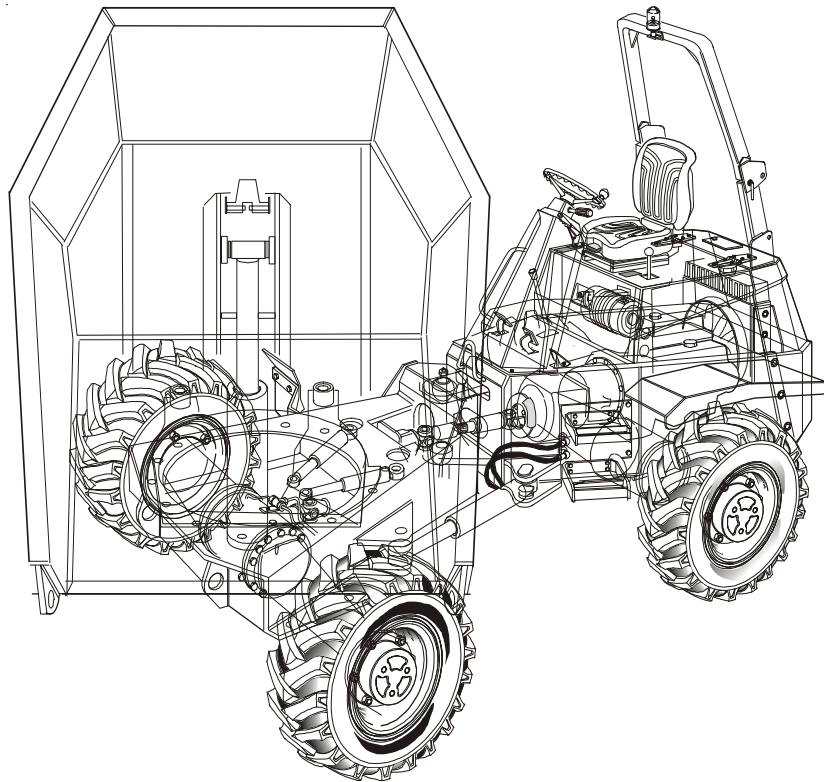
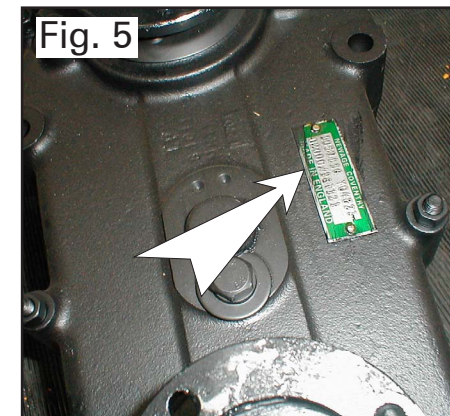
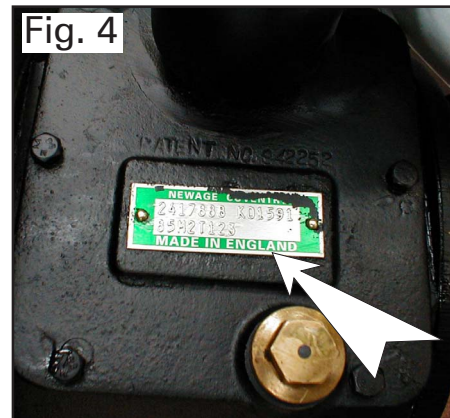
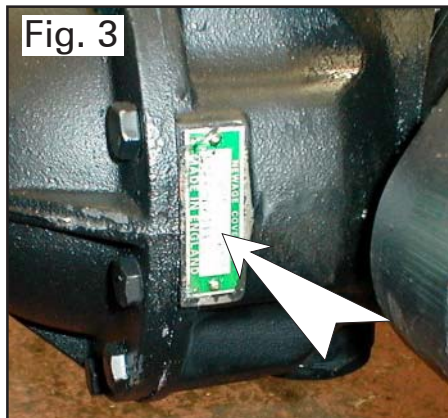
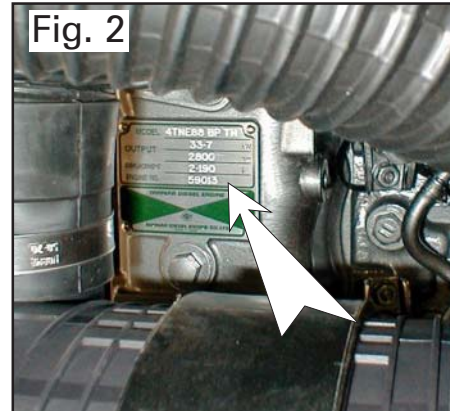
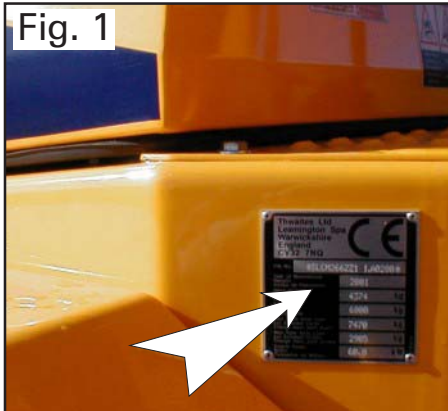


Thwaites**245 - 4 TONNE POWERSWIVEL****allparts****Thwaites**
allparts

Thwaites Ltd
Leamington Spa
Warwickshire
CV32 7NQ
Tel +44 (0)1926 422471
Fax +44 (0)1926 450458
www.thwaitesdumpers.co.uk

FROM VIN No. A0427**DATED** 9th OCTOBER 2001**VIN No.** A _____**ENGINE BUILD No.** 4TNE88-EWA2**PAYLOAD** 4 TONNE**SKIP** POWERSWIVEL**TRANSMISSION** MANUAL**TYPE** MACH 245**PREFIX No.** 03

MACHINE IDENTIFICATION



Serial Numbers

Note machine serial numbers. Always quote them in communication with Thwaites dealer or Head Office.

Model Type (Fig 1.)

Vin N° (Fig. 1)

Engine Serial N° (Fig. 2)

Axle Serial N° (Fig. 3) Front
Rear

Gearbox N° (Fig. 4)

Transfer Box N° (Fig. 5)

VEHICLE IDENTIFICATION NUMBER - (VIN)

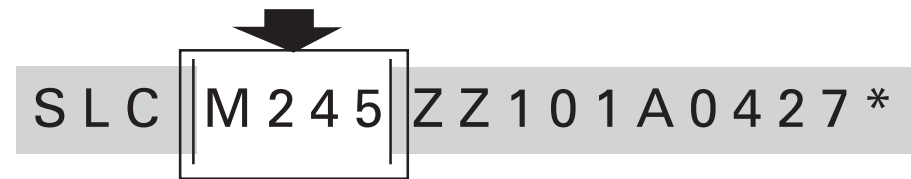
Thwaites have now adopted the international identification system known as VEHICLE IDENTIFICATION NUMBER normally referred to as VIN.



The VIN number incorporates a number of security features and also the machine model and individual serial number.

Important note: *Do not use this parts manual to order replacement spares if the prefix level of your machine is higher than the number quoted at the front of this parts manual.*

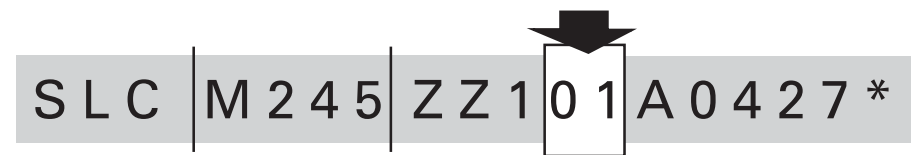
When ordering replacement spares it is important that the model or MACH number is used to identify the correct parts manual.



The year of manufacture:



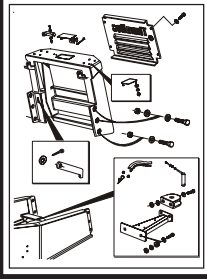
The Machine Parts Manual issue level denoted by the two digit Prefix Number:



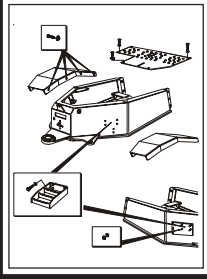
The unique machine serial number:



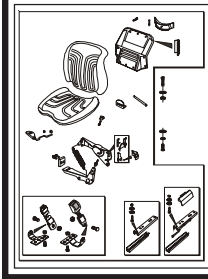
Please ensure that these numbers are quoted in all correspondence with your Thwaites distributor.

**REAR COVER
ASSEMBLY**

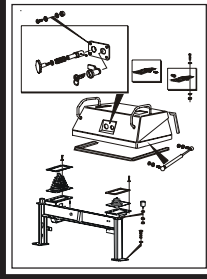
PAGE 1

**REAR CHASSIS
ASSEMBLY**

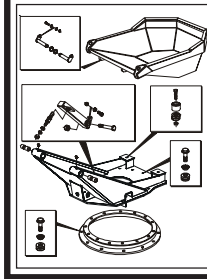
PAGE 2

**SEAT
ASSEMBLY**

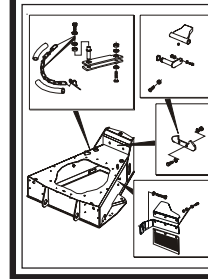
PAGE 3

**ENGINE COVER
ASSEMBLY**

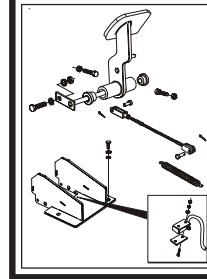
PAGE 4

**SKIP & SUB
CHASSIS**

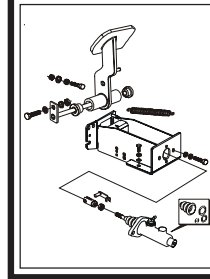
PAGE 5

**FRONT CHASSIS
ASSEMBLY**

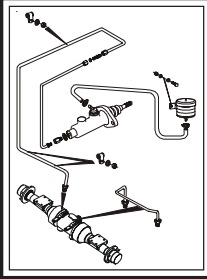
PAGE 6

**CLUTCH PEDAL
ASSEMBLY**

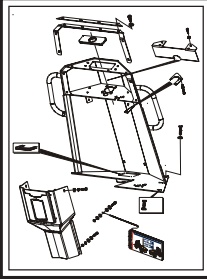
PAGE 7

**BRAKE PEDAL
ASSEMBLY**

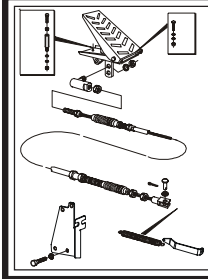
PAGE 8

**BRAKE
CIRCUIT**

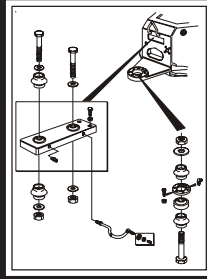
PAGE 9

**LEG GUARD
ASSEMBLY**

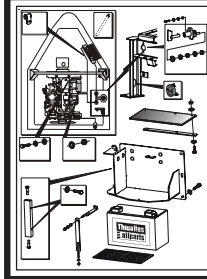
PAGE 10

**THROTTLE
ASSEMBLY**

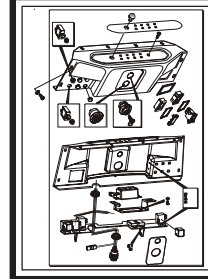
PAGE 11

**KINGLINK
ASSEMBLY**

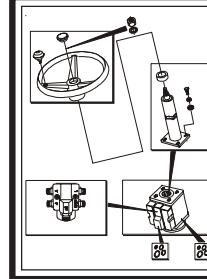
PAGE 12

**BATTERY BOX
ASSEMBLY**

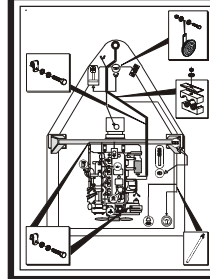
PAGE 13

**DASH PANEL
ASSEMBLY**

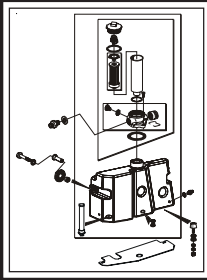
PAGE 14

**STEERING
ASSEMBLY**

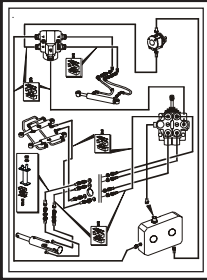
PAGE 15

**ENGINE
HARNESS**

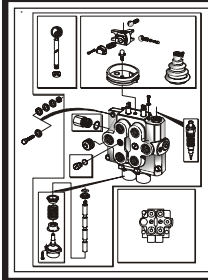
PAGE 16

**HYD. TANK
ASSEMBLY**

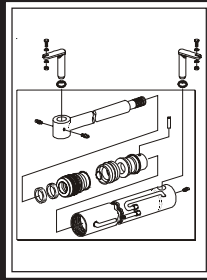
PAGE 17 & 18

**HYD. CIRCUIT
CONTROLS**

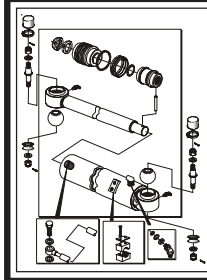
PAGE 19

**TIPPING VALVE
ASSEMBLY**

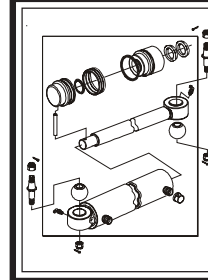
PAGE 20

**TIPPING RAM
ASSEMBLY**

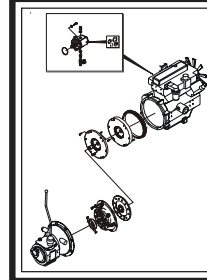
PAGE 21

**STEERING RAM
ASSEMBLY**

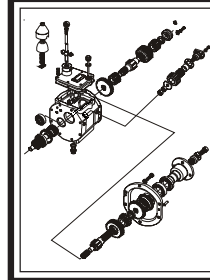
PAGE 22

**SLEW RAM
ASSEMBLY**

PAGE 23

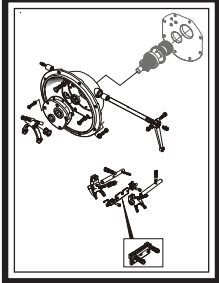
**CLUTCH ASSY.
& HYD. PUMP**

PAGE 24

**GEARBOX -
INTERNAL**

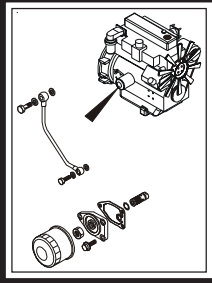
PAGE 25 & 26

G/BOX - FORKS & HOUSING



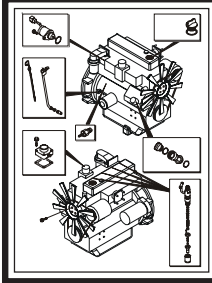
PAGE 27 & 28

ENGINE - OIL FILTER ASSY.



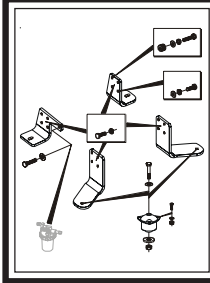
PAGE 29

ENGINE ACCESSORIES



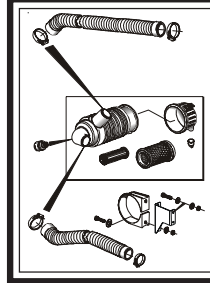
PAGE 30

ENGINE MOUNTINGS



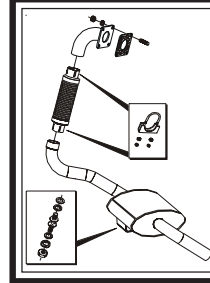
PAGE 31

AIR CLEANER ASSEMBLY



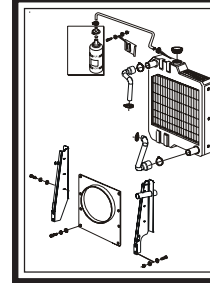
PAGE 32

EXHAUST SYSTEM



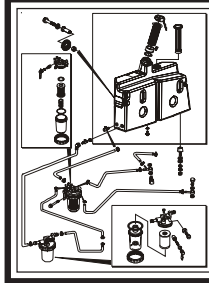
PAGE 33

RADIATOR & FIXINGS



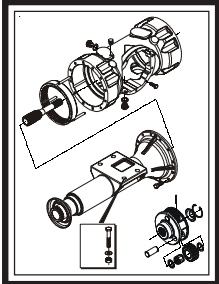
PAGE 34

FUEL TANK ASSEMBLY



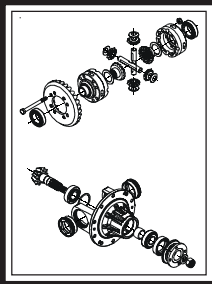
PAGE 35 & 36

FRONT AXLE - MAIN CASE



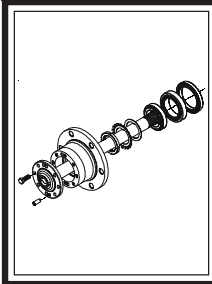
PAGE 37

FRONT AXLE - DIFF ASSEMBLY



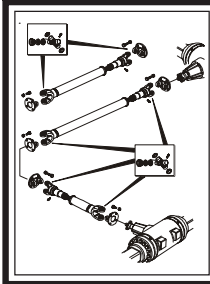
PAGE 38

FRONT AXLE - HUB & ARM



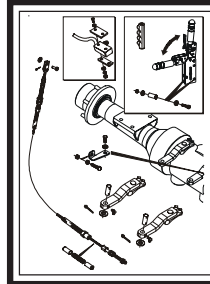
PAGE 39

PROPSHAFTS



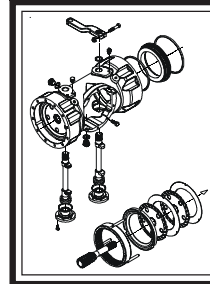
PAGE 40

HANDBRAKE ASSEMBLY



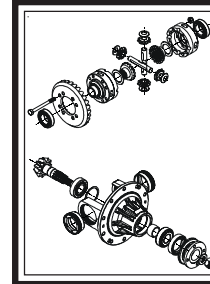
PAGE 41

REAR AXLE - MAIN CASE



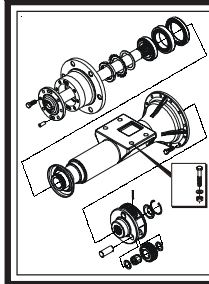
PAGE 42

REAR AXLE - DIFF. ASSEMBLY



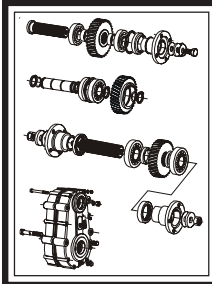
PAGE 43

REAR AXLE - HUB & ARM



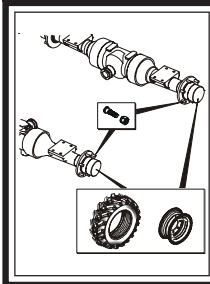
PAGE 44

TRANSFER BOX



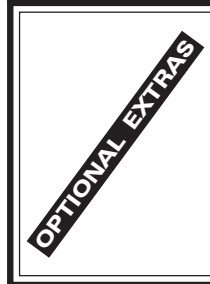
PAGE 45 & 46

WHEEL ASSEMBLY



PAGE 47

OPTIONAL EXTRAS



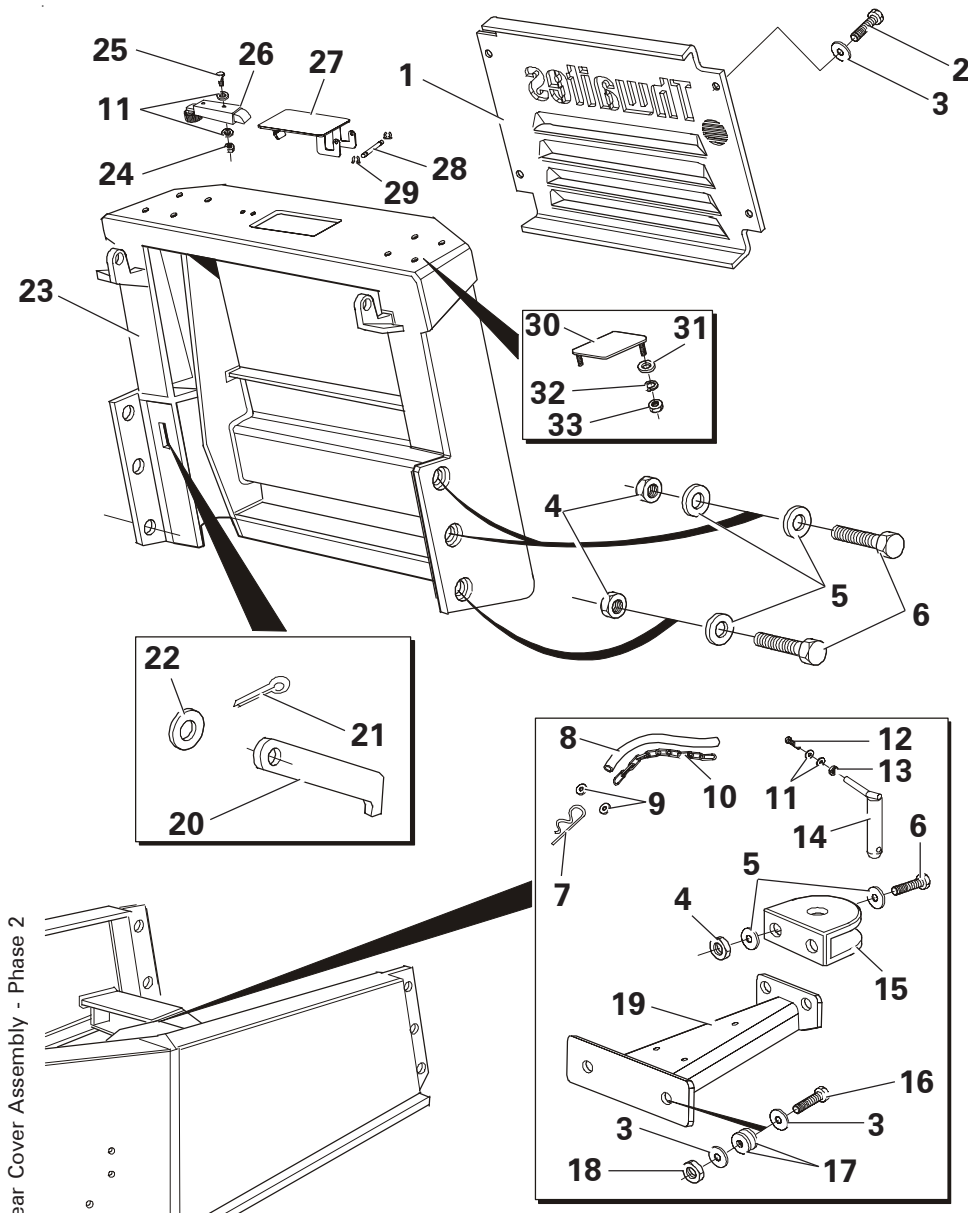
PAGE 48

MODIFICATIONS & ADDITIONS



PAGE 49 & 50

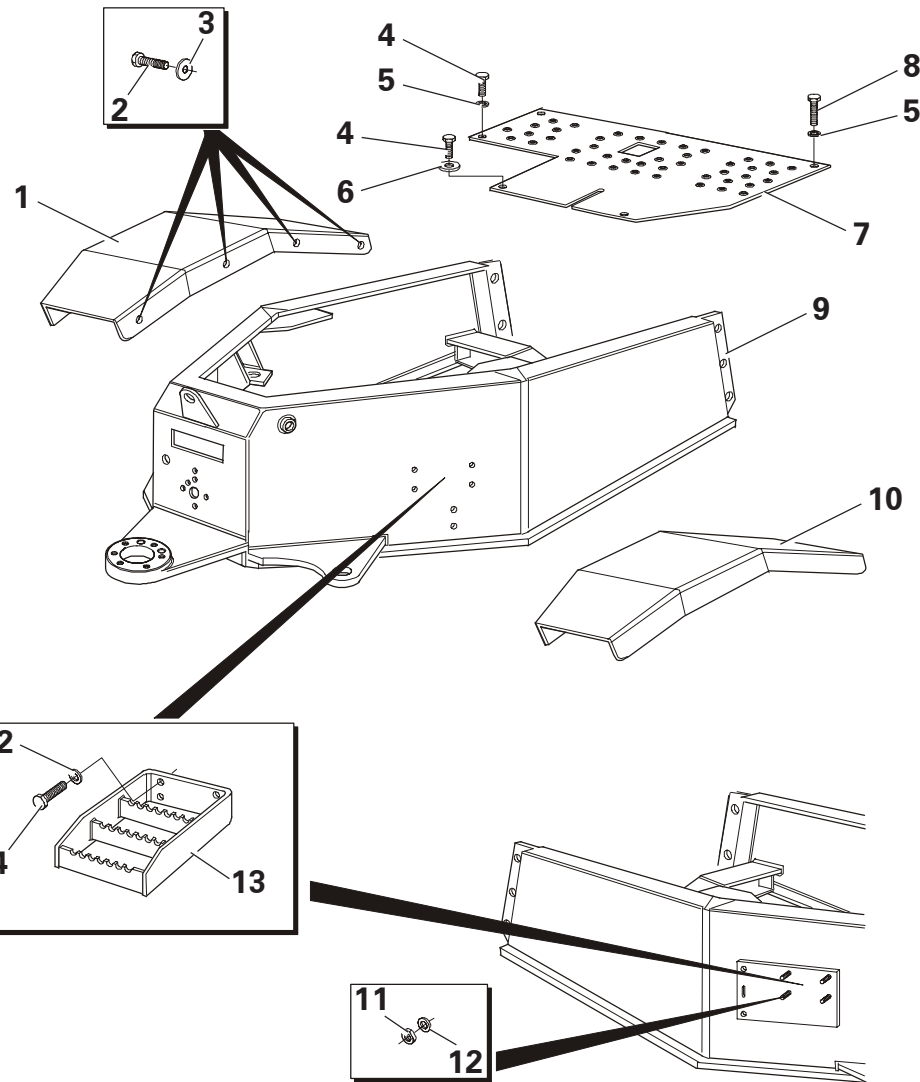
REAR COVER ASSEMBLY



Item	Part No.	Description	Qty	U/M
1	T100519	REAR GRILL	1.0	EA
2	T14077	BOLT	4.0	EA
3	T14748	PLAIN WASHER	8.0	EA
4	T14910	STOVER NUT	8.0	EA
5	T100867	PLAIN WASHER	14.0	EA
6	T11315	BOLT	8.0	EA
7	T6075	LYNCH PIN	1.0	EA
8	T17508	CHAIN SLEEVE	1.0	EA
9	T15830	FLAT WASHER	2.0	EA
10	T14285	RETAINING CHAIN	1.0	EA
11	T13911	FLAT WASHER	6.0	EA
12	T16477	BOLT	1.0	EA
13	T10431	NUT	1.0	EA
14	T100156	TOWING PIN	1.0	EA
15	T100155	TOWING JAW	1.0	EA
16	T14078	BOLT	2.0	EA
17	T6769	THICK WASHER	4.0	EA
18	T14283	PHILIDAS NUT	2.0	EA
19	T100563	TOWING BRACKET ASSY	1.0	EA
20	T100466	STRAP RETAINER	1.0	EA
21	T6751	SPLIT PIN	1.0	EA
22	T6768	WASHER	1.0	EA
23	T100515	REAR COVER	1.0	EA
24	T13910	PHILIDAS LOCKNUT	2.0	EA
25	T18162	BUTTON HD.SOCKET SCREW	2.0	EA
26	T100631	SLAMBOLT	1.0	EA
27	T100306	RADIATOR COVER	1.0	EA
28	T100327	HINGE PIN	1.0	EA
29	T100329	RETAINING CLIP	2.0	EA
30	T100778	ROPS MOUNTING COVER PLATE	2.0	EA
31	T15819	PLAIN WASHER	4.0	EA
32	T13362	SPRING WASHER	4.0	EA
33	T12509	NUT	4.0	EA

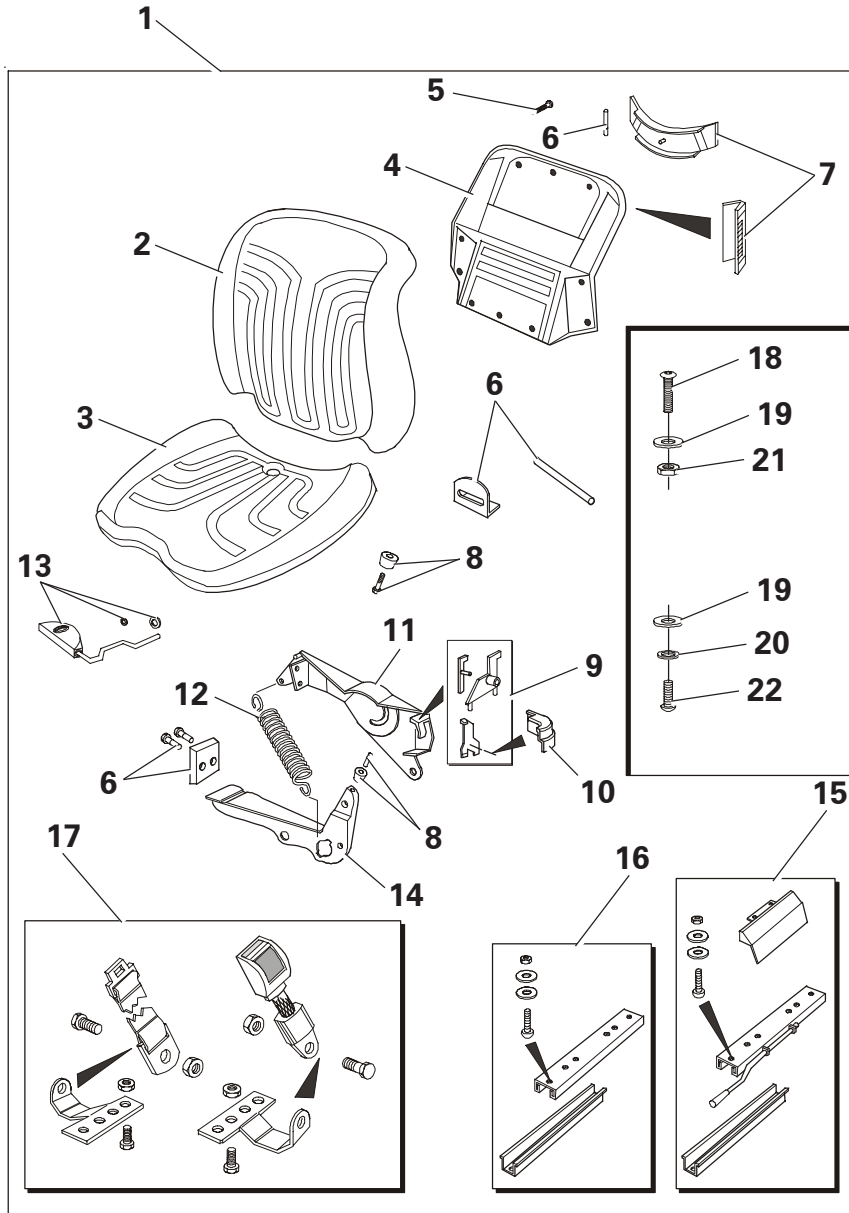
Rear Cover Assembly - Phase 2

REAR CHASSIS ASSEMBLY



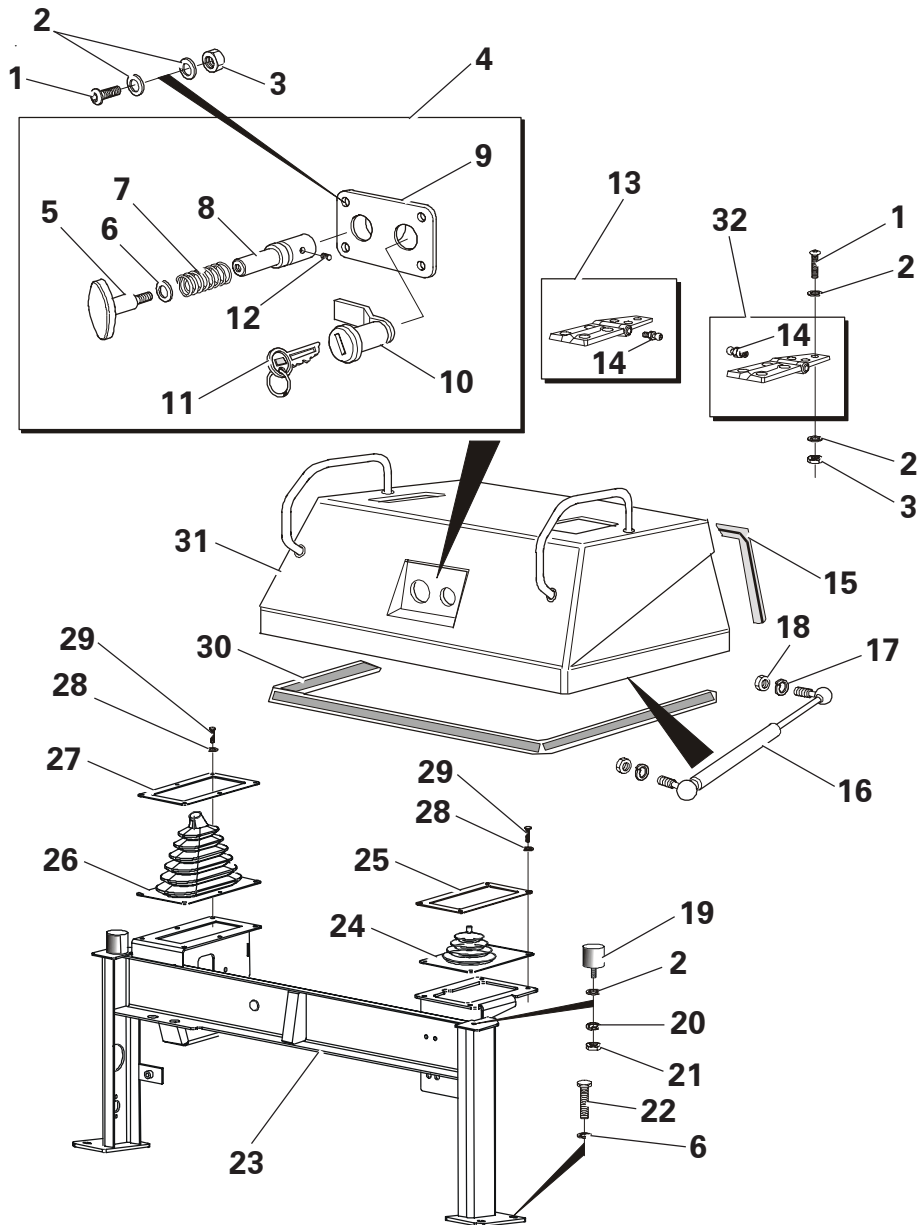
Item	Part No.	Description	Qty	U/M
1	T100350	MUDGUARD RH (REAR)	1.0	EA
2	T14077	BOLT	8.0	EA
3	T14748	PLAIN WASHER	8.0	EA
4	T20618	SET SCREW	7.0	EA
5	T10734	HEAVY DUTY WASHER	4.0	EA
6	T14748	PLAIN WASHER	1.0	EA
7	T100349	FLOORPLATE	1.0	EA
8	T16505	SET BOLT	2.0	EA
9	T100342	REAR CHASSIS	1.0	EA
10	T100531	MUDGUARD LH (REAR)	1.0	EA
11	T13064	LOCKING NUT	4.0	EA
12	T15819	PLAIN WASHER	8.0	EA
13	T100147	STEP	2.0	EA

SEAT ASSEMBLY



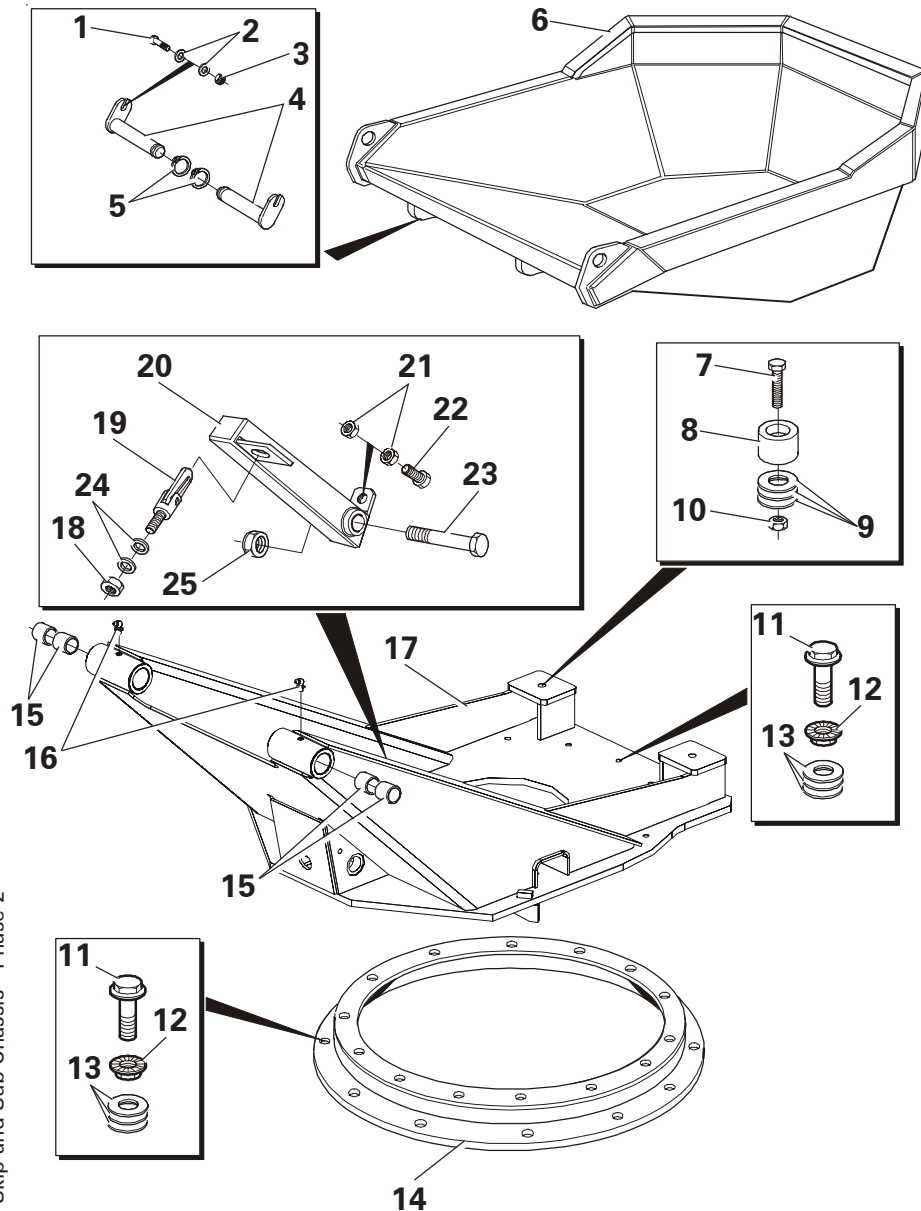
Item	Part No.	Description	Qty	U/M
1	T19367	SEAT ASSEMBLY	1.0	EA
2	T51918	UPHOLSTERED BACK REST	1.0	EA
3	T51916	UPHOLSTERED SEAT PAN	1.0	EA
4	T51919	PLATE	1.0	EA
5	T51920	SCREW SET	3.0	EA
6	T51928	FRAME KIT	1.0	EA
7	T51936	BLANKING COVERS	1.0	EA
8	T51927	SCREW & WASHER SET	1.0	EA
9	T51934	ADJUSTMENT BRACKETS	1.0	EA
10	T51935	HANDLE	1.0	EA
11	T51933	LEVER	1.0	EA
12	T51932	SPRING	1.0	EA
13	T51921	LEVER	1.0	EA
14	T51931	LEVER	1.0	EA
15	T51929	SLIDE RAIL KIT	1.0	EA
16	T51930	SLIDE RAIL	1.0	EA
17	T51922	KIT	1.0	EA
18	T12971	BUTTON HEAD SOCKET SCREW	2.0	EA
19	T12973	PLAIN WASHER	4.0	EA
20	T12972	SPRING WASHER	2.0	EA
21	T13457	NYLOC NUT	2.0	EA
22	T12832	DOME HEAD SOCKET SCREW	2.0	EA

ENGINE COVER ASSEMBLY



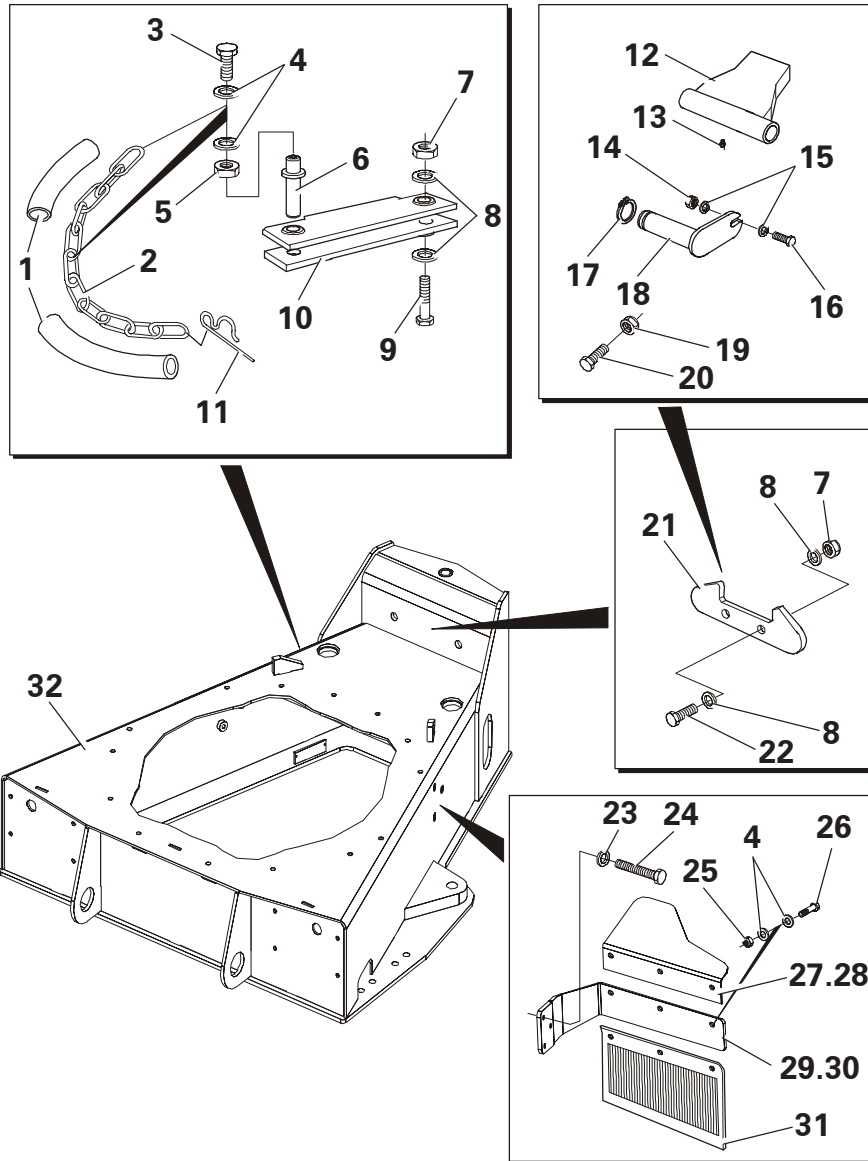
Item	Part No.	Description	Qty	U/M
1	T12971	BUTTON HEAD SCREW	18.0	EA
2	T12973	PLAIN WASHER	38.0	EA
3	T13457	NYLOC NUT	16.0	EA
4	T100211	LOCK ASSY	1.0	EA
5	T100216	RENCOL HANDLE	1.0	EA
6	T10734	H/DUTY WASHER	5.0	EA
7	T100287	SPRING	1.0	EA
8	T100266	LOCK PLUNGER	1.0	EA
9	T100286	WELDED LOCK ASSY	1.0	EA
10	T100265	COMPARTMENT LOCK	1.0	EA
11	T50479	SWITCH KEY	1.0	EA
12	T100477	GRUB SCREW	1.0	EA
13*	T101780	HINGE RH (WITH GREASE NIPPLE)	1.0	EA
14	T16586	GREASE NIPPLE - STRAIGHT	2.0	EA
15	T100533	SEAL	1.0	EA
16	T100610	GAS STRUT	2.0	EA
17	T12972	SPRING WASHER	2.0	EA
18	T9775	NUT	2.0	EA
19	T100243	RUBBER BUFFER	2.0	EA
20	T12972	SPRING WASHER	2.0	EA
21	T9775	NUT	2.0	EA
22	T16500	BOLT	4.0	EA
23	T100955	CONTROL MGT BRACE ASSY	1.0	EA
24	T100289	TIPPING LEVER GAITER	1.0	EA
25	T100569	TIPPING GAITER RETAINING	1.0	EA
26	T100911	HANDBRAKE LEVER GAITER	1.0	EA
27	T100570	GAITER RETAINING PLATE	1.0	EA
28	T13911	FLAT WASHER	10.0	EA
29	T16492	DOME HEAD SCREW	10.0	EA
30	T100532	SEAL	1.0	EA
31	T100360	ENGINE COVER ASSY	1.0	EA
32*	T101779	HINGE LH (WITH GREASE NIPPLE)	1.0	EA

SKIP & SUB CHASSIS



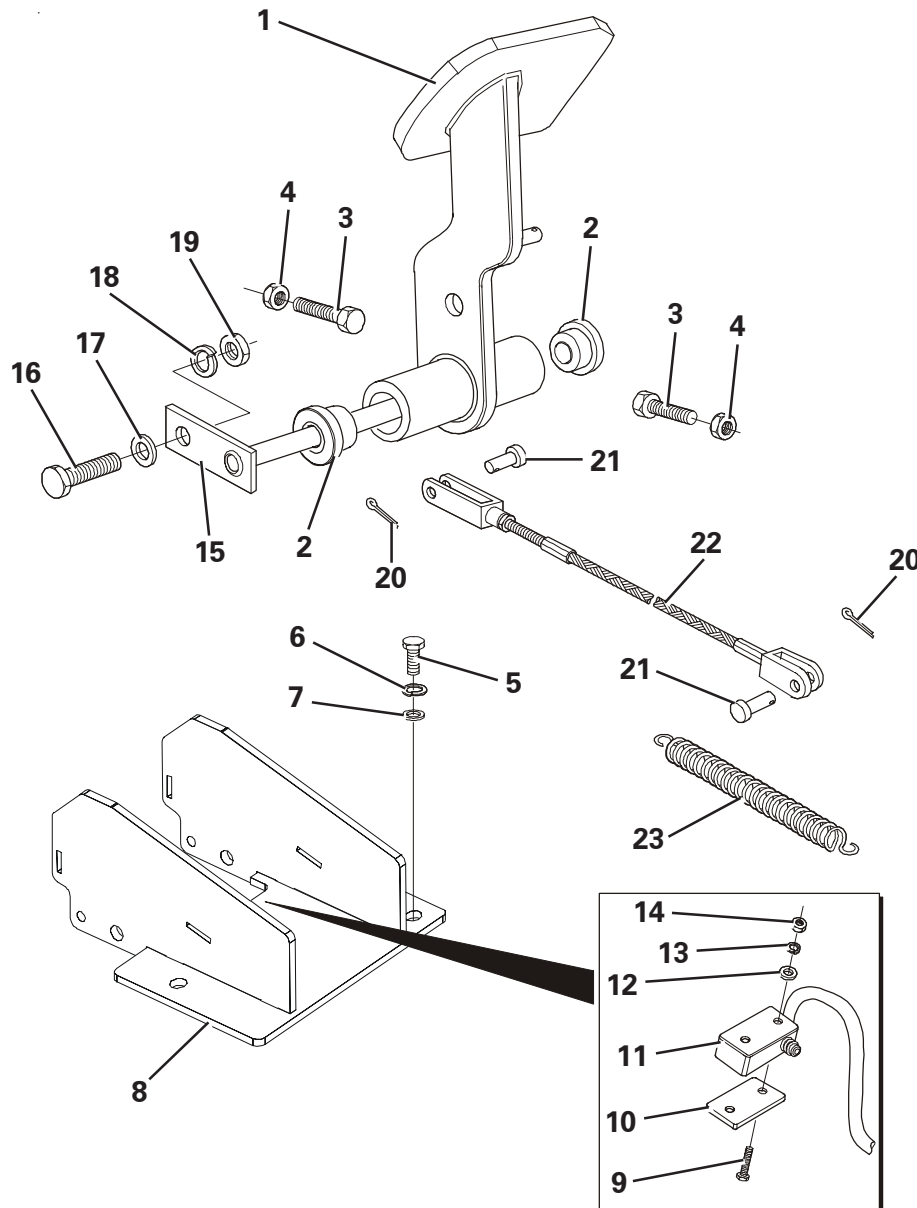
Item	Part No.	Description	Qty	U/M
1	T16505	SET BOLT	2.0	EA
2	T15819	PLAIN WASHER	4.0	EA
3	T13064	NUT	2.0	EA
4	T100087	SKIP PIVOT PIN	2.0	EA
5	T100099	CIRCLIP	2.0	EA
6	T100943	SKIP	1.0	EA
7	T100594	SET BOLT	2.0	EA
8*	T100302	SKIP STOP	2.0	EA
9	T100578	SKIP PAD SPACER 3mm	A/R	EA
	T100303	SKIP PAD SPACER 5mm	A/R	EA
	T100386	SKIP PAD SPACER 10mm	A/R	EA
10	T14910	NUT	2.0	EA
11	T9926	BOLT DURLOCK	27.0	EA
12	T9928	DURLOCK NUT	27.0	EA
13	T7245/1	.003 SHIM	A/R	EA
	T7245/2	.005 SHIM	A/R	EA
	T7245/3	.010 SHIM	A/R	EA
	T7245/4	.020 SHIM	A/R	EA
	T7245/5	.030 SHIM	A/R	EA
14	T100348	SLEW RING	1.0	EA
15	T100029	BUSH	4.0	EA
16	T16587	GREASE NIPPLE	2.0	EA
17	T100485	SUB-CHASSIS	1.0	EA
18	T14283	PHILIDAS NUT	1.0	EA
19	T100384	ANTI-LUCE FITTING	1.0	EA
20	T100235	SKIP PROP	1.0	EA
21	T12509	NUT	2.0	EA
22	T16500	BOLT	1.0	EA
23	T20329	BOLT	1.0	EA
24	T14748	PLAIN WASHER	2.0	EA
25	T13739	NUT	1.0	EA

FRONT CHASSIS ASSEMBLY



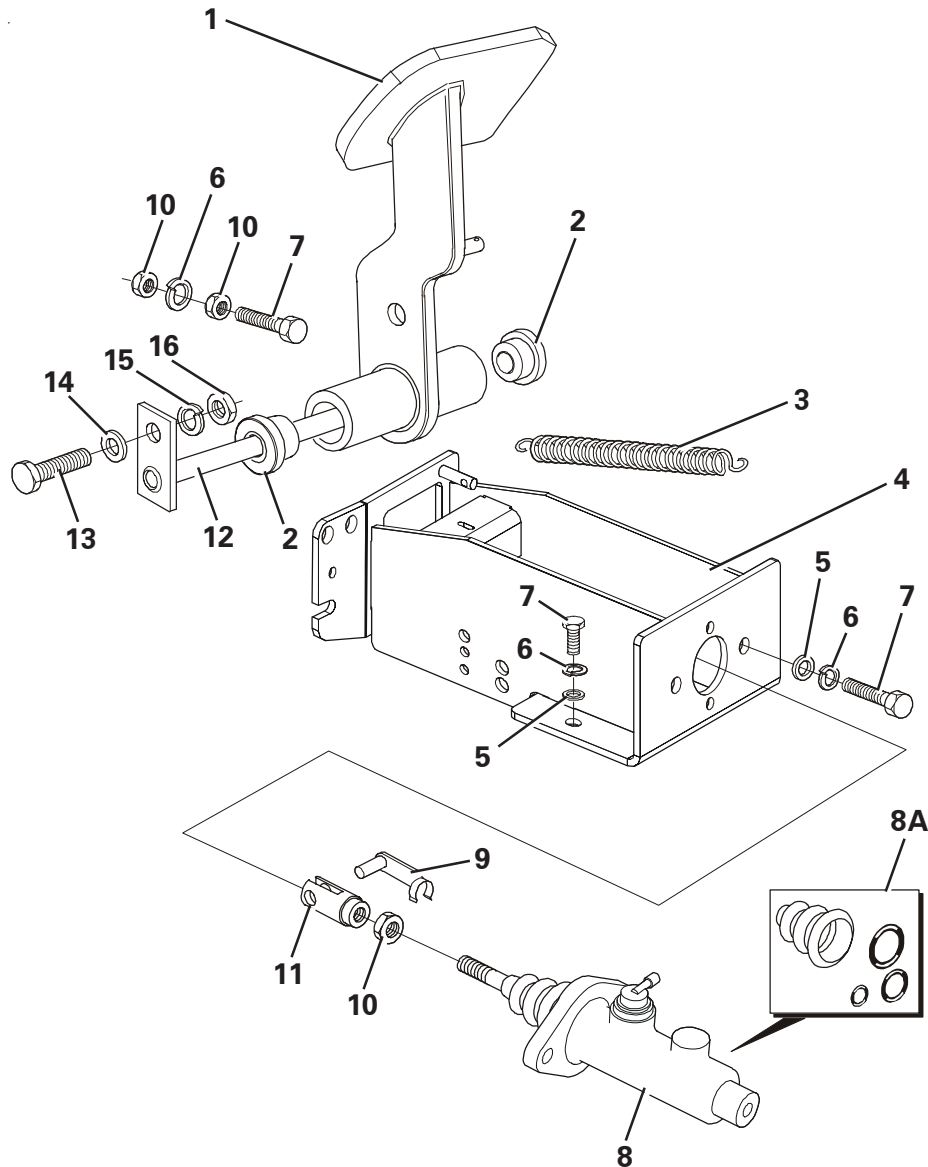
Item	Part No.	Description	Qty	U/M
1	T19465	CHAIN SLEEVE	2.0	EA
2	T18186	PIN RETAINING CHAIN	1.0	EA
3	T16476	SET BOLT	2.0	EA
4	T15830	FLAT WASHER	4.0	EA
5	T10431	NUT	2.0	EA
6	T100103	CHASSIS LOCK PIN ASSY	1.0	EA
7	T13739	NUT	3.0	EA
8	T17306	PLAIN WASHER	6.0	EA
9	T100310	BOLT	1.0	EA
10	T100102	CHASSIS LOCK BAR ASSY	1.0	EA
11	T10012	LINCH PIN	1.0	EA
12	T100521	LATCH ASSY	1.0	EA
13	T16586	GREASE NIPPLE	1.0	EA
14	T13064	NUT	1.0	EA
15	T15819	PLAIN WASHER	2.0	EA
16	T16505	SET BOLT	1.0	EA
17	T100098	CIRCLIP	1.0	EA
18	T100089	TIPPING RAM PIN TOP	1.0	EA
19	T100866	PLAIN NUT	1.0	EA
20	T100865	SET SCREW	1.0	EA
21	T100522	LATCH PLATE	1.0	EA
22	T100459	BOLT	2.0	EA
23	T14748	PLAIN WASHER	6.0	EA
24	T14078	BOLT	6.0	EA
25	T13910	PHILIDAS LOCKNUT	6.0	EA
26	T100700	DOME HEAD SET SCREW	6.0	EA
27	T100525	MUDGUARD O/S FRONT	1.0	EA
28	T100526	MUDGUARD N/S FRONT	1.0	EA
29	T100523	MUDGUARD BRACKET N/S	1.0	EA
30	T100524	MUDGUARD BRACKET O/S	1.0	EA
31	T100027	MUDFLAP RUBBER	2.0	EA
32	T100341	FRONT CHASSIS	1.0	EA

CLUTCH PEDAL ASSEMBLY



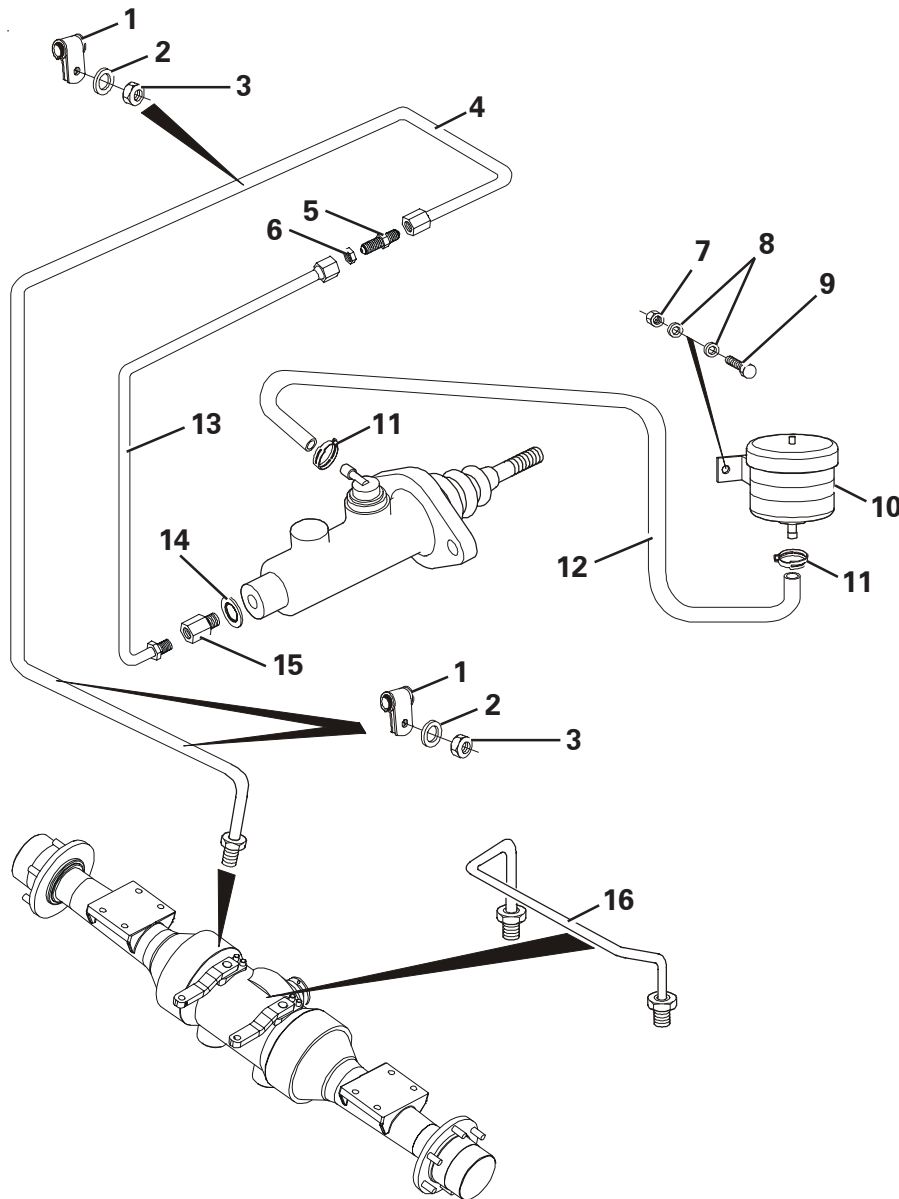
Item	Part No.	Description	Qty	U/M
1	T100093	PEDAL	1.0	EA
2	T100110	BUSH	2.0	EA
3	T12694	SET SCREW	2.0	EA
4	T9775	NUT	2.0	EA
5	T20618	SET SCREW	2.0	EA
6	T13362	SPRING WASHER	2.0	EA
7	T15819	PLAIN WASHER	2.0	EA
8	T100672	CLUTCH PEDAL BRKT	1.0	EA
9	T13321	SET SCREW	2.0	EA
10	T13289	MICRO SWITCH BACKING PLATE	1.0	EA
11	T100223	MICRO SWITCH	1.0	EA
12	T11440	WASHER	2.0	EA
13	T11439	SPRING WASHER	2.0	EA
14	T11447	NUT	2.0	EA
15	T100096	PEDAL SHAFT	1.0	EA
16	T16477	BOLT	1.0	EA
17	T13911	FLAT WASHER	1.0	EA
18	T14837	SPRING WASHER	1.0	EA
19	T16481	NYLOC NUT	1.0	EA
20	T6702	SPLIT PIN	2.0	EA
21	T6951	CLEVIS PIN	2.0	EA
22	T100682	CLUTCH CABLE	1.0	EA
23	T7026	SPRING	1.0	EA

BRAKE PEDAL ASSEMBLY



Item	Part No.	Description	Qty	U/M
1	T100093	PEDAL	1.0	EA
2	T100110	BUSH	2.0	EA
3	T100318	BRAKE SPRING	1.0	EA
4	T100351	MASTER CYLINDER MTG BRKT	1.0	EA
5	T15819	PLAIN WASHER	4.0	EA
6	T13362	SPRING WASHER	5.0	EA
7	T20618	SET SCREW	5.0	EA
8	T100399	MASTER CYLINDER (SINGLE)	1.0	EA
8A	T52799	SEAL KIT	1.0	EA
9	T100084	SPRING CLEVIS PIN	1.0	EA
10	T12509	NUT	3.0	EA
11	T100083	FORK END	1.0	EA
12	T100096	PEDAL SHAFT	1.0	EA
13	T16477	BOLT	1.0	EA
14	T13911	FLAT WASHER	1.0	EA
15	T14837	SPRING WASHER	1.0	EA
16	T10431	NUT	1.0	EA

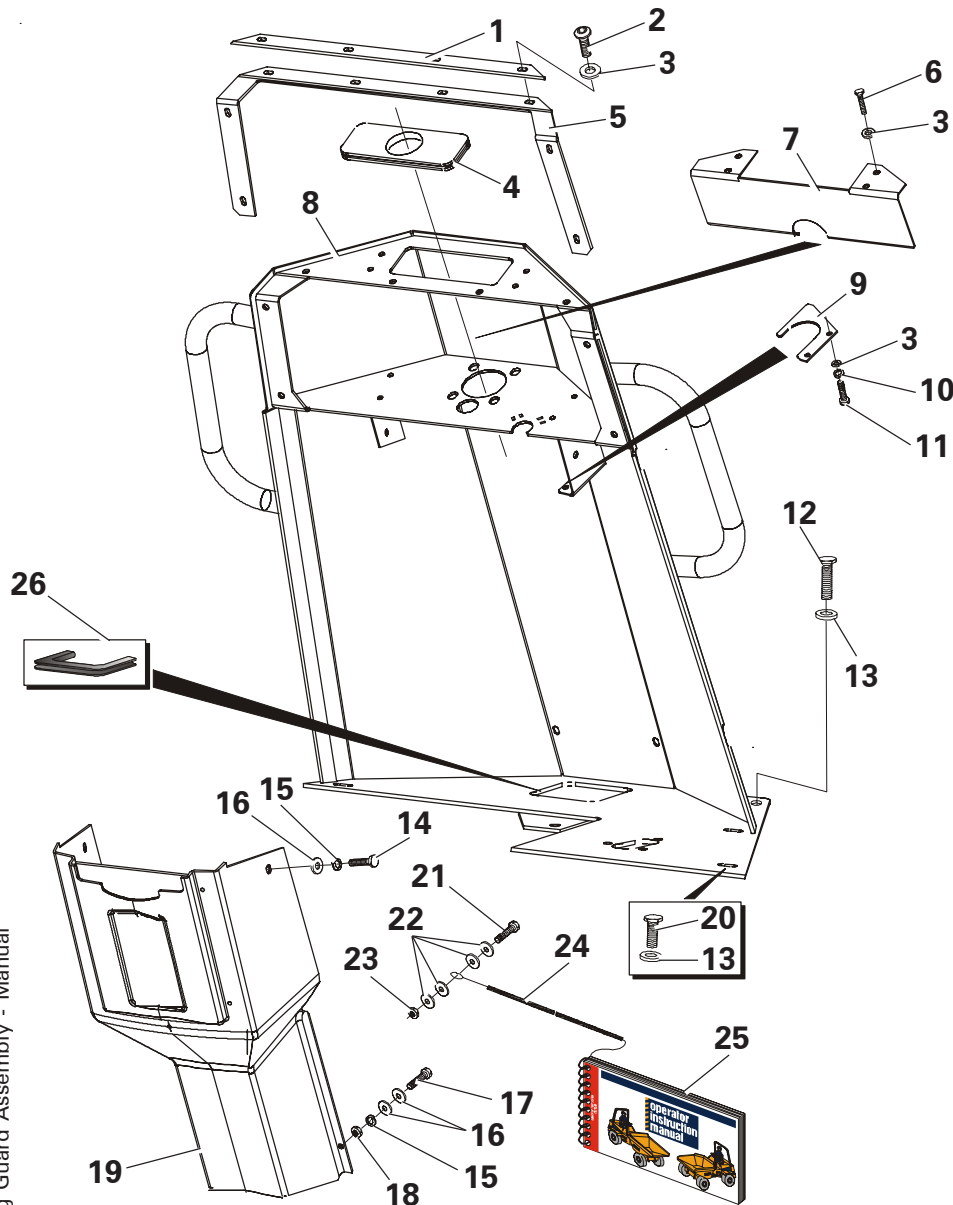
BRAKE CIRCUIT - MANUAL



Item	Part No.	Description	Qty	U/M
1	T11452	PIPE CLIP	3.0	EA
2	T16612	PLAIN WASHER	3.0	EA
3	T16613	NYLOC NUT	3.0	EA
4	T100779	BRAKE PIPE	1.0	EA
5	T100697	BRAKE B/H UNION	1.0	EA
6	T8942	LOCKNUT	3.0	EA
7	T16481	NYLOC NUT	2.0	EA
8	T13911	FLAT WASHER	4.0	EA
9	T10917	SET BOLT	2.0	EA
10	T100402	RESERVOIR	1.0	EA
11	T100691	HOSE CLIP	2.0	EA
12	T100747	BRAKE HOSE	1.0	EA
13	T100702	BRAKE PIPE	1.0	EA
14	T10940	HYDRAULIC WASHER	1.0	EA
15	T100701	ADAPTOR	1.0	EA
16	T100704	BRAKE PIPE	1.0	EA

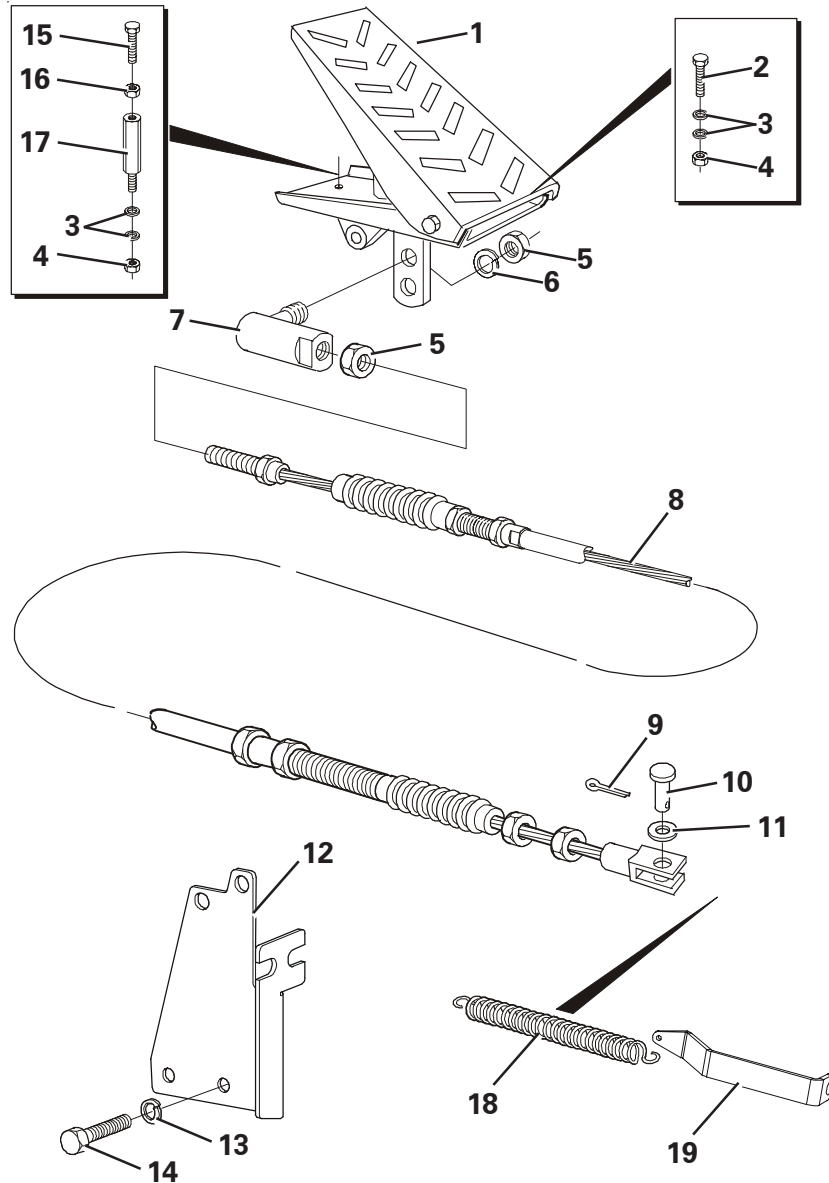
LEG GUARD ASSEMBLY

Item	Part No.	Description	Qty	U/M
1	T100506	CLAMPING STRIP	1.0	EA
2	T100315	SCREW	4.0	EA
3	T13911	FLAT WASHER	10.0	EA
4	T100300	STEERING COLUMN GROMMET	1.0	EA
5	T100320	SEALING GASKET	1.0	EA
6	T16492	DOME HEAD SCREW	4.0	EA
7	T100540	SPLASH GUARD	1.0	EA
8	T101015	LEG GUARD	1.0	EA
9	T100667	HARNESS MTG	1.0	EA
10	T14837	SPRING WASHER	2.0	EA
11	T10917	SET BOLT PLATED	2.0	EA
12	T16505	BOLT	2.0	EA
13	T10734	H/DUTY WASHER PLATED	5.0	EA
14	T10917	SET BOLT PLATED	2.0	EA
15	T14837	SPRING WASHER	4.0	EA
16	T15830	FLAT WASHER	6.0	EA
17	T16477	HEX HEAD BOLT	2.0	EA
18	T10431	NUT	2.0	EA
19	T100159	INNER LEG GUARD	1.0	EA
20	T20618	SET SCREW	3.0	EA
21	T12694	SET SCREW	1.0	EA
22	T9345	WASHER	4.0	EA
23	T13457	NYLOC NUT	1.0	EA
24	T100699	RETAINING CABLE	1.0	EA
25	T0407	OPERATOR MANUAL	1.0	EA
26	T52795	E J TRIM	1.0	EA



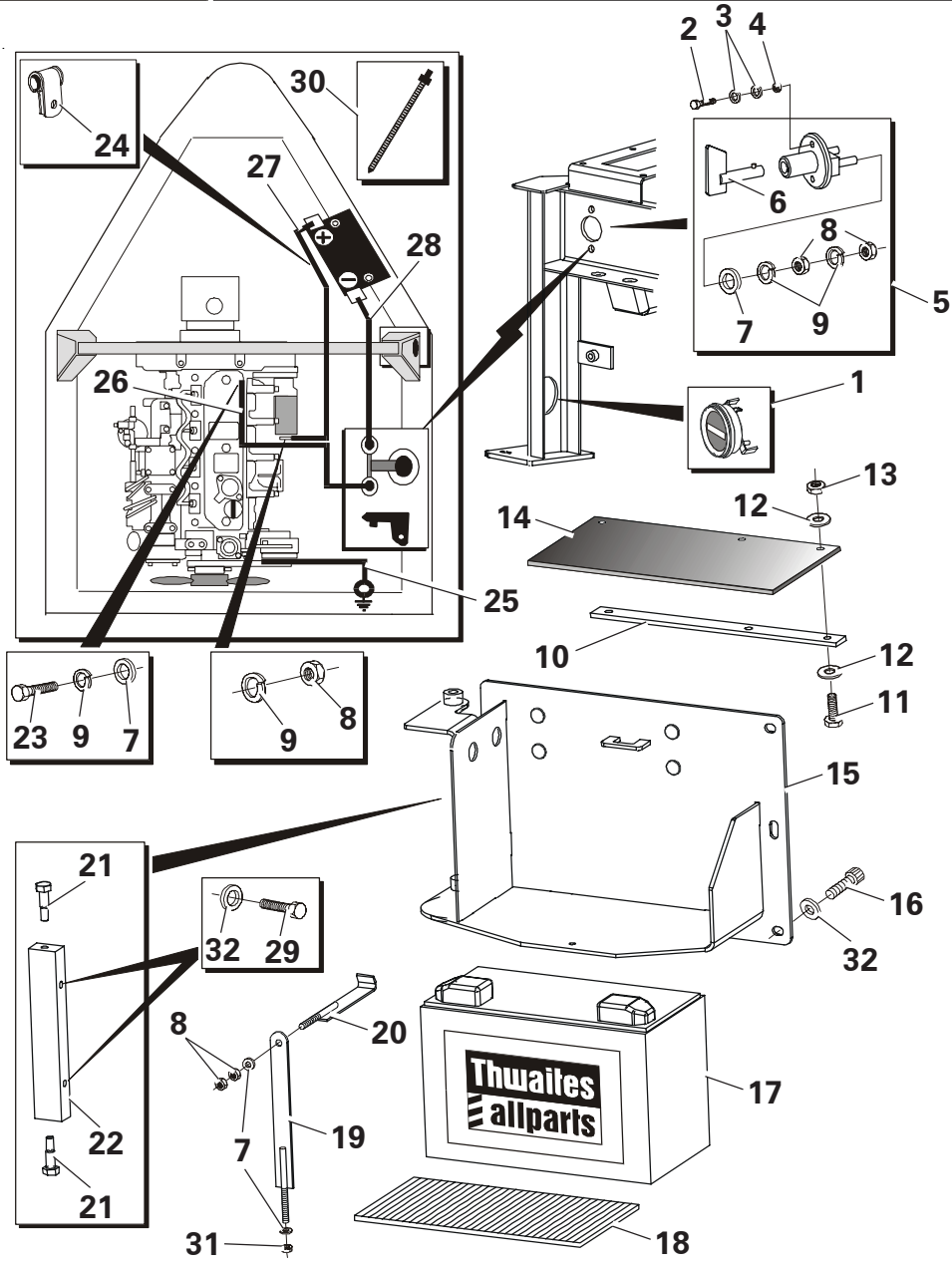
Leg Guard Assembly - Manual

THROTTLE ASSEMBLY



Item	Part No.	Description	Qty	U/M
1	T18931	ACCELERATOR PEDAL	1.0	EA
2	T16477	HEX HEAD BOLT	2.0	EA
3	T13911	FLAT WASHER	6.0	EA
4	T16481	NYLOC NUT	3.0	EA
5	T10431	NUT	3.0	EA
6	T14837	SPRING WASHER	1.0	EA
7	T16192	AMEL END	1.0	EA
8	T100629	THROTTLE CABLE	1.0	EA
9	T6744	SPLIT PIN	1.0	EA
10	T6970	ANCHOR PIN	1.0	EA
11	T16612	PLAIN WASHER	1.0	EA
12	T100678	THROTTLE REACTION BRACKET	1.0	EA
13	T12972	SPRING WASHER	2.0	EA
14	T7465	SET SCREW	2.0	EA
15	T14277	BOLT	1.0	EA
16	T9775	NUT	1.0	EA
17	T101032	THROTTLE STOP	1.0	EA
18	T18452	SPRING	1.0	EA
19	T101047	THROTTLE SPRING MTG	1.0	EA

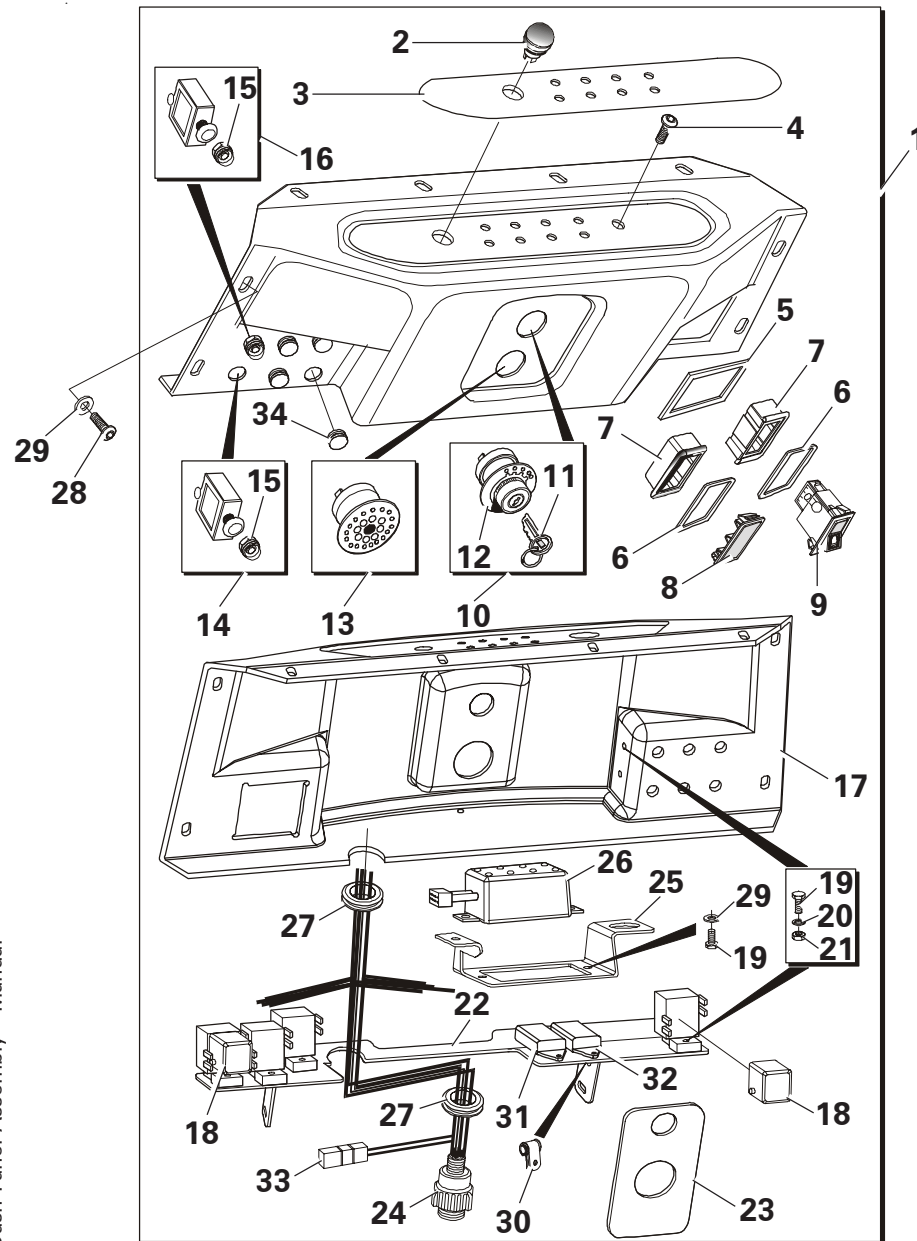
BATTERY BOX ASSEMBLY



Item	Part No.	Description	Qty	U/M
1	T16538	HOURMETER	1.0	EA
2	T16611	SCREW	2.0	EA
3	T16612	PLAIN WASHER	4.0	EA
4	T16613	NYLOC NUT	2.0	EA
5	T20846	BATTERY ISOLATOR SWITCH	1.0	EA
6	T52600	KEY	1.0	EA
7	T12973	PLAIN WASHER	5.0	EA
8	T9775	NUT	7.0	EA
9	T12972	SPRING WASHER	6.0	EA
10	T100394	BATTERY COVER RETAINER	1.0	EA
11	T16505	SET BOLT	3.0	EA
12	T15819	PLAIN WASHER	6.0	EA
13	T13064	NUT	3.0	EA
14	T100393	RUBBER BATTERY COVER	1.0	EA
15	T100376	BATTERY BOX	1.0	EA
16	T16770	CAP SCREW	2.0	EA
17	T100967	BATTERY	1.0	EA
18	T16948	NON-SLIP MAT	1.0	EA
19	T100758	BATTERY STOP FRONT	1.0	EA
20*	T100432	BATTERY STRAP TOP	1.0	EA
21	T100577	PIVOT PIN	2.0	EA
22	T100592	HINGE BLOCK	1.0	EA
23	T11673	SET BOLT	1.0	EA
24	T11514	PIPE CLIP	1.0	EA
25	T100665	EARTH LEAD	1.0	EA
26	T100664	NEGATIVE CABLE	1.0	EA
27	T100632	POSITIVE BATTERY CABLE	1.0	EA
28	T100633	NEGATIVE BATTERY CABLE	1.0	EA
29	T20618	SET SCREW	2.0	EA
30	T9164	NYLON CLIPS	A/R	EA
31	T13457	NYLOC NUT	1.0	EA
32	T10734	H/DUTY WASHER	4.0	EA

Battery Box Assembly - Phase 2

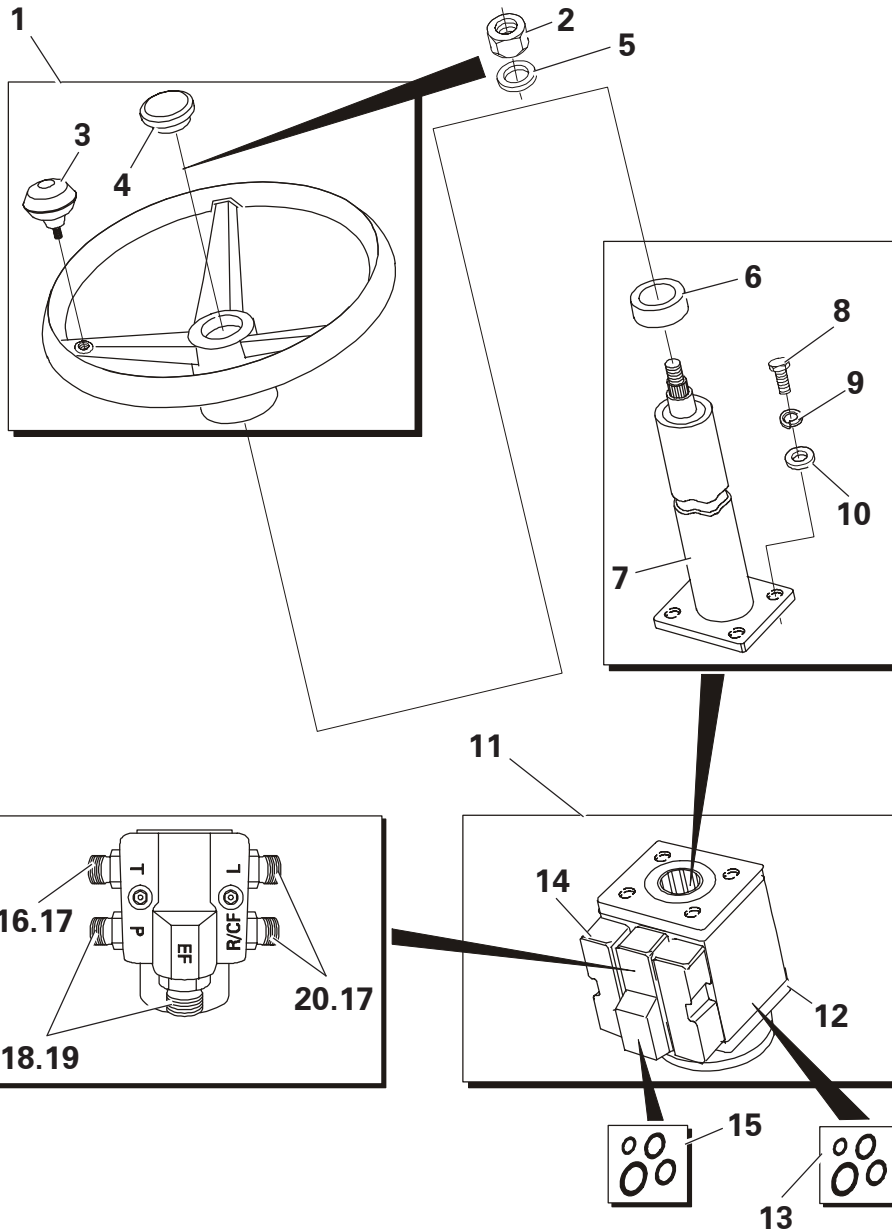
DASH PANEL ASSEMBLY



Item	Part No.	Description	Qty	U/M
1	T100498	DASH PANEL ASSY	1.0	EA
2	T52302	HORN PUSH	1.0	EA
3	T100635	CONSOLE DECAL	1.0	EA
4	T52449	C/SUNK BOLT	1.0	EA
5	T52448	MOUNTING PANEL GASKET	1.0	EA
6	T52304	SWITCH BLANK SEAL	2.0	EA
7	T52446	SWITCH MOUNTING PANEL	2.0	EA
8	T52303	SWITCH BLANK	1.0	EA
9	T52445	BEACON SWITCH	1.0	EA
10	T52307	IGNITION SWITCH	1.0	EA
11	T50479	STARTER SWITCH KEY	1.0	EA
12	T52311	INDEX PLATE	1.0	EA
13	T100902	WARNING BUZZER	1.0	EA
14	T52305	CIRCUIT BREAKER 12AMP	1.0	EA
15	T52306	CIRCUIT BREAKER COVER	2.0	EA
16	T52468	CIRCUIT BREAKER 18AMP	1.0	EA
17	T52408	DASH PANEL	1.0	EA
18	T52457	RELAY	2.0	EA
19	T16610	CH. HEAD SCREW	12.0	EA
20	T16612	PLAIN WASHER	9.0	EA
21	T16613	NYLOC NUT	10.0	EA
22	T100487	RELAY MOUNTING BRACKET	1.0	EA
23	T100445	IGNITION BACKING PLATE	1.0	EA
24	T100921	PANEL HARNESS	1.0	EA
25	T100446	LED MODULE MTG BRACKET	1.0	EA
26	T100435	LED MODULE	1.0	EA
27	T9538	GROMMET	2.0	EA
28	T100315	SCREW	4.0	EA
29	T13911	FLAT WASHER	6.0	EA
30	T100989	`P` CLIP	1.0	EA
31	T52726	STOP SOLENOID - TIMER	1.0	EA
32	T52725	GLOW PLUG - TIMER	1.0	EA
33	T52724	DIODE	1.0	EA
34	T52447	BLANKING GROMMET	4.0	EA

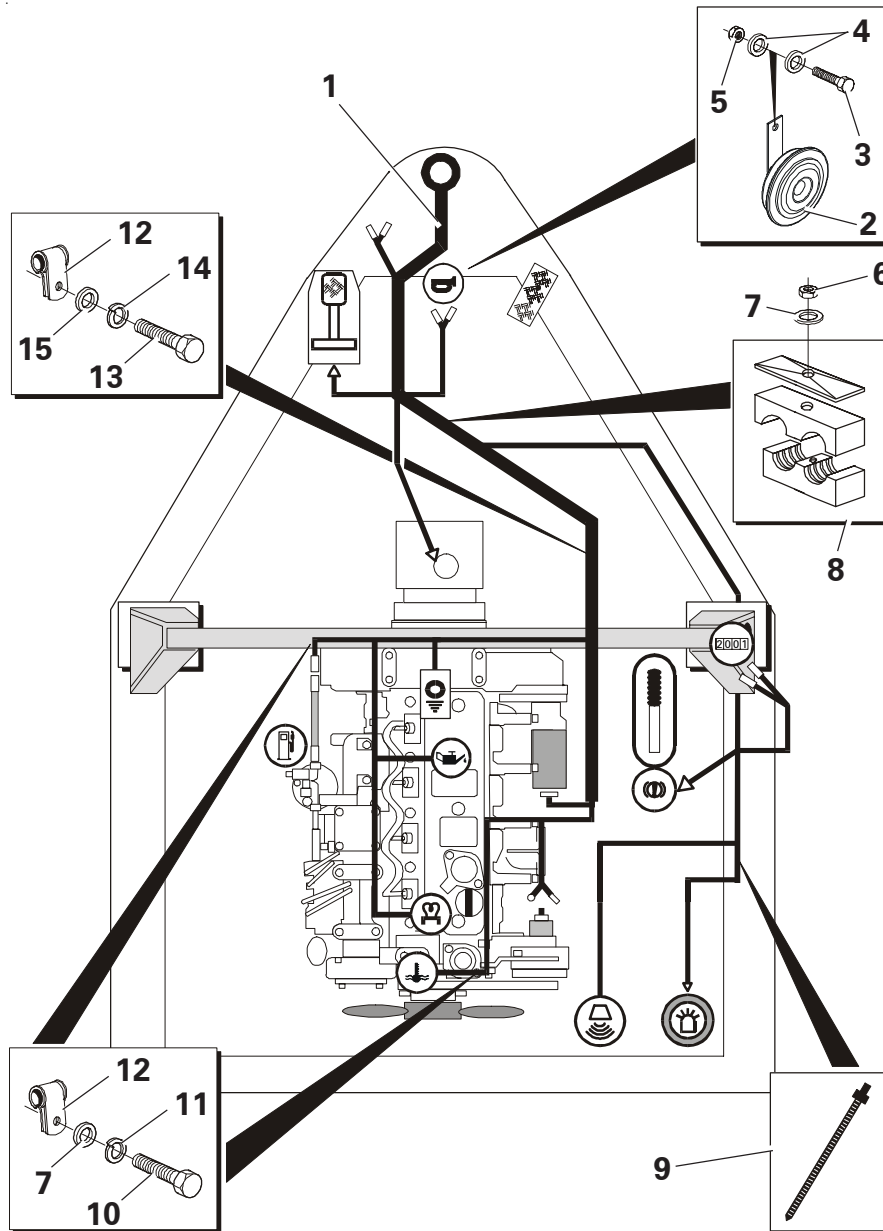
STEERING ASSEMBLY

Item	Part No.	Description	Qty	U/M
1	T100496	STEERING WHEEL & CAP	1.0	EA
2	T100690	NYLOC NUT	1.0	EA
3	T52520	SPINNER KNOB	1.0	EA
4	T50541	CENTRE CAP	1.0	EA
5	T6765	WASHER	1.0	EA
6	T52517	END CAP	1.0	EA
7	T100015	STEERING COLUMN	1.0	EA
8	T7466	SET SCREW	4.0	EA
9	T13362	SPRING WASHER	4.0	EA
10	T15819	PLAIN WASHER	4.0	EA
11	T18781	STEERING/PRIORITY VALVE	1.0	EA
12	T18601	STEERING VALVE	1.0	EA
13	T51661	SEAL KIT	1.0	EA
14	T18602	PRIORITY VALVE	1.0	EA
15	T51662	SEAL KIT	1.0	EA
16	T11165	ADAPTOR	1.0	EA
17	T5637	BONDED SEAL	3.0	EA
18	T13936	ADAPTOR	2.0	EA
19	T5596	HYDRAULIC SEAL	2.0	EA
20	T13606	ADAPTOR	2.0	EA



ENGINE HARNESS

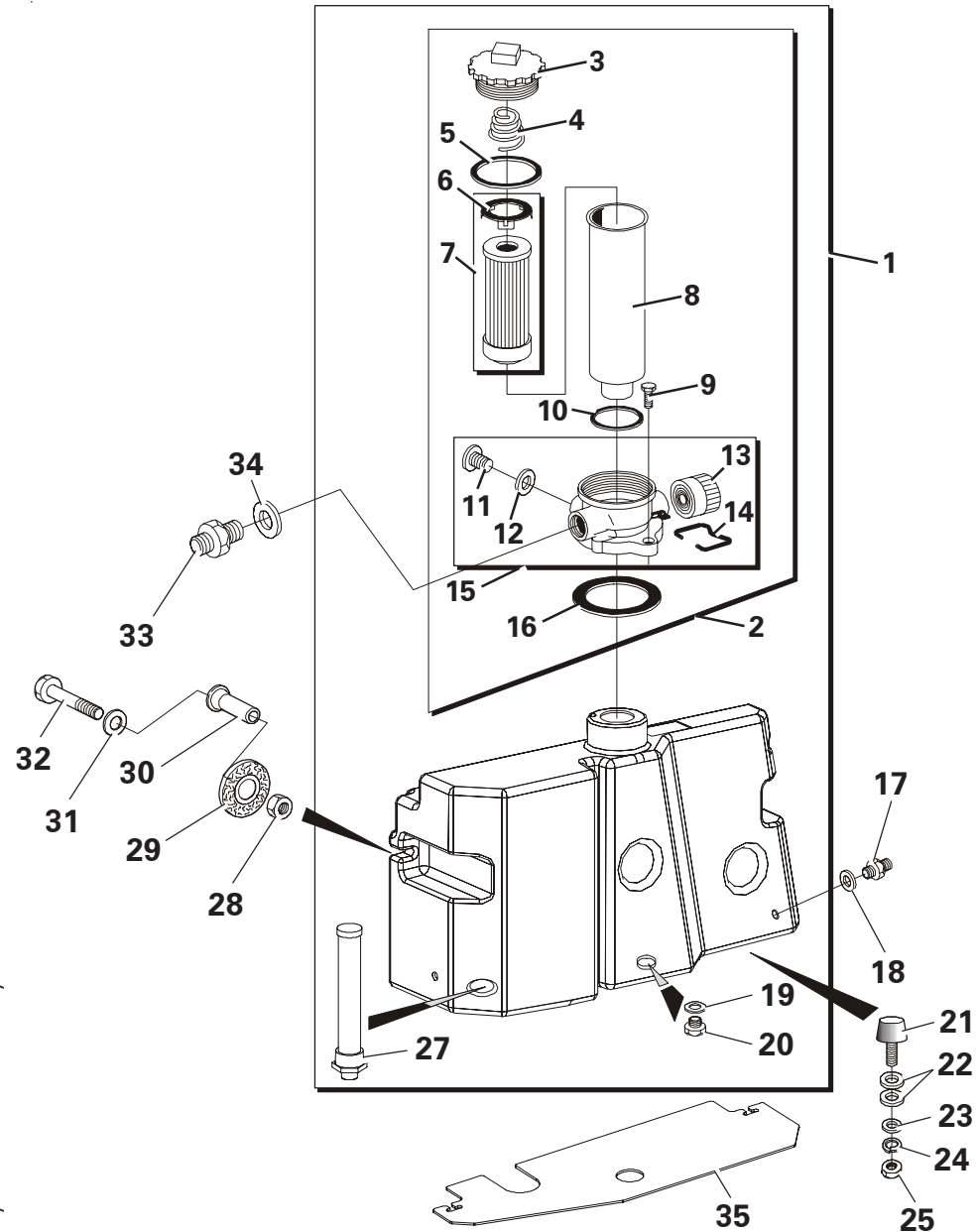
Item	Part No.	Description	Qty	U/M
1	T100920	ENGINE HARNESS	1.0	EA
2	T100017	HORN	1.0	EA
3	T16477	HEAD BOLT	1.0	EA
4	T13911	FLAT WASHER	2.0	EA
5	T16481	NYLOC NUT	1.0	EA
6	T13457	NYLOC NUT	1.0	EA
7	T12973	PLAIN WASHER	3.0	EA
8	T100807	HOSE CLAMP	1.0	EA
9	T9164	NYLON CLIPS	A/R	EA
10	T11673	SET BOLT	2.0	EA
11	T12972	SPRING WASHER	2.0	EA
12	T9914	HOSE CLIP	3.0	EA
13	T7466	SET SCREW	1.0	EA
14	T13362	SPRING WASHER	1.0	EA
15	T10734	H/DUTY WASHER	1.0	EA



Engine Harness - Manual

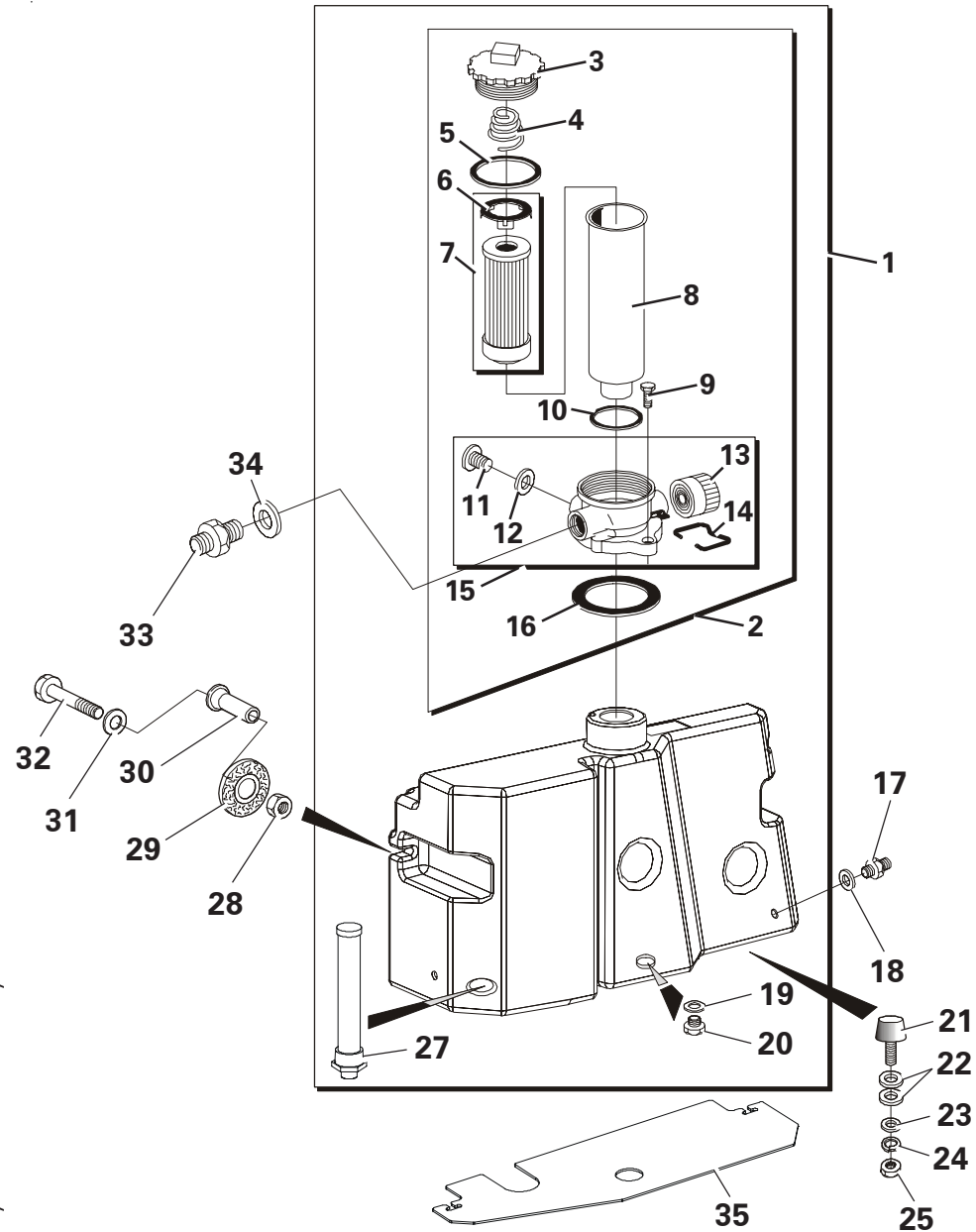
HYDRAULIC TANK ASSEMBLY

Item	Part No.	Description	Qty	U/M
1	T100609	PLASTIC HYD TANK 45L	1.0	EA
2	T52287	HYD RETURN FILTER	1.0	EA
3	T52624	CAP	1.0	EA
4	T52625	SPRING	1.0	EA
5	T52626	SEAL	1.0	EA
6	T52627	FILTER CLIP	1.0	EA
7	T52286	HYDRAULIC ELEMENT	1.0	EA
8	T52628	LOWER CASING	1.0	EA
9	T52545	BOLT	1.0	EA
10	T52629	SEAL	1.0	EA
11	T52630	PLUG	1.0	EA
12	T52631	WASHER	1.0	EA
13	T52632	BREATHER CAP	1.0	EA
14	T52633	CLIP	1.0	EA
15	T52634	HEAD ASSEMBLY	1.0	EA
16	T52635	SEAL	1.0	EA
17	T13936	ADAPTOR	1.0	EA



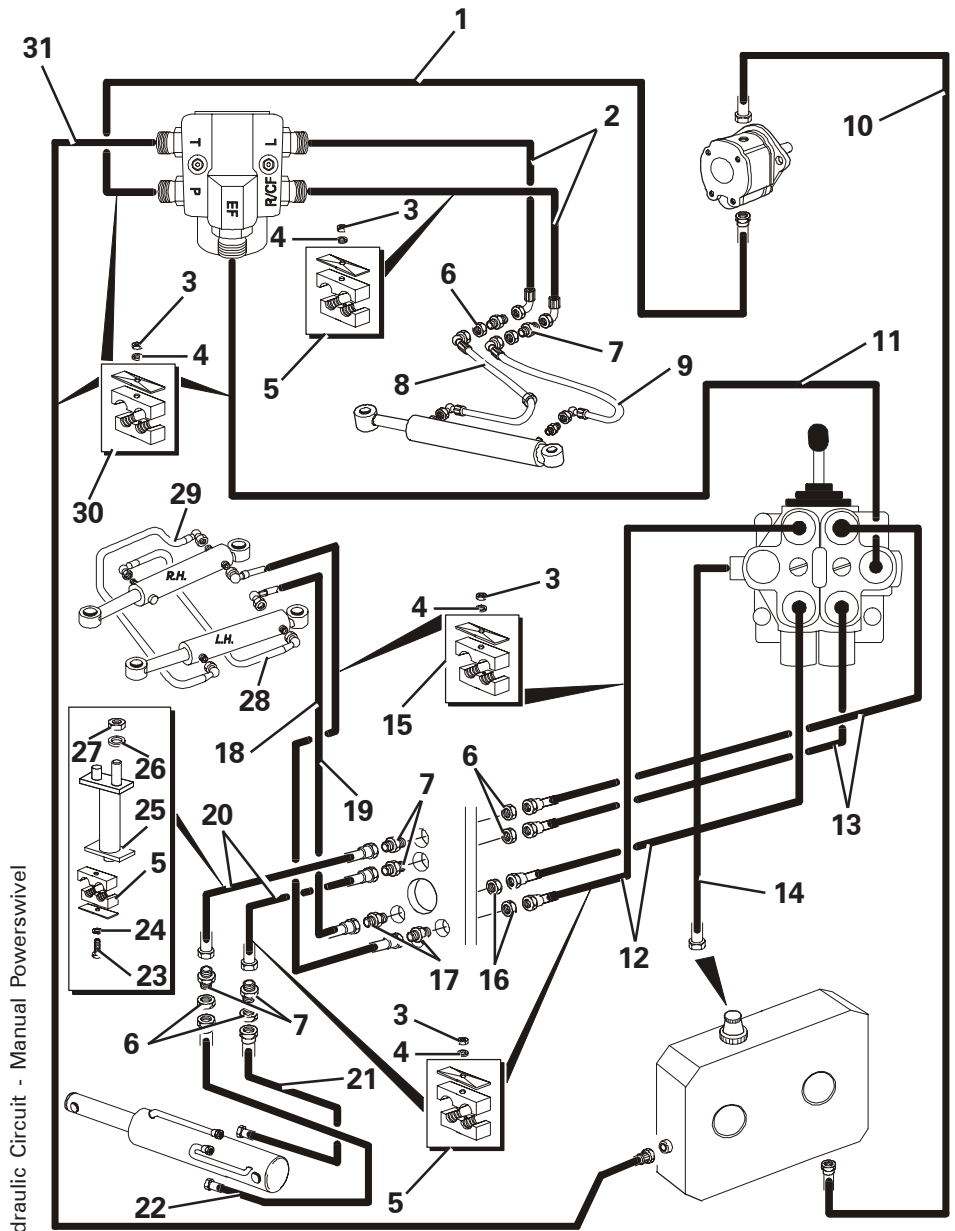
HYDRAULIC TANK ASSEMBLY

Item	Part No.	Description	Qty	U/M
18	T5596	HYDRAULIC SEAL	1.0	EA
19	T52588	FIBRE WASHER	1.0	EA
20	T52282	DRAIN PLUG	1.0	EA
21	T100214	RUBBER BUFFER	2.0	EA
22	T8128	WASHER	4.0	EA
23	T9345	WASHER	2.0	EA
24	T12972	SPRING WASHER	2.0	EA
25	T9775	NUT	2.0	EA
26*	DELETED			
27*	T101240	SUCTION ELEMENT	1.0	EA
28	T13064	NUT	2.0	EA
29	T100323	RUBBER BACKED WASHER	2.0	EA
30	T100372	TANK SPACER	2.0	EA
31	T10734	HEAVY DUTY WASHER	2.0	EA
32	T17963	BOLT	2.0	EA
33	T8014	ADAPTOR	1.0	EA
34	T5594	HYD SEAL	1.0	EA
35*	T101241	HYDRAULIC TANK GUARD	1.0	EA



HYDRAULIC CIRCUIT - CONTROLS

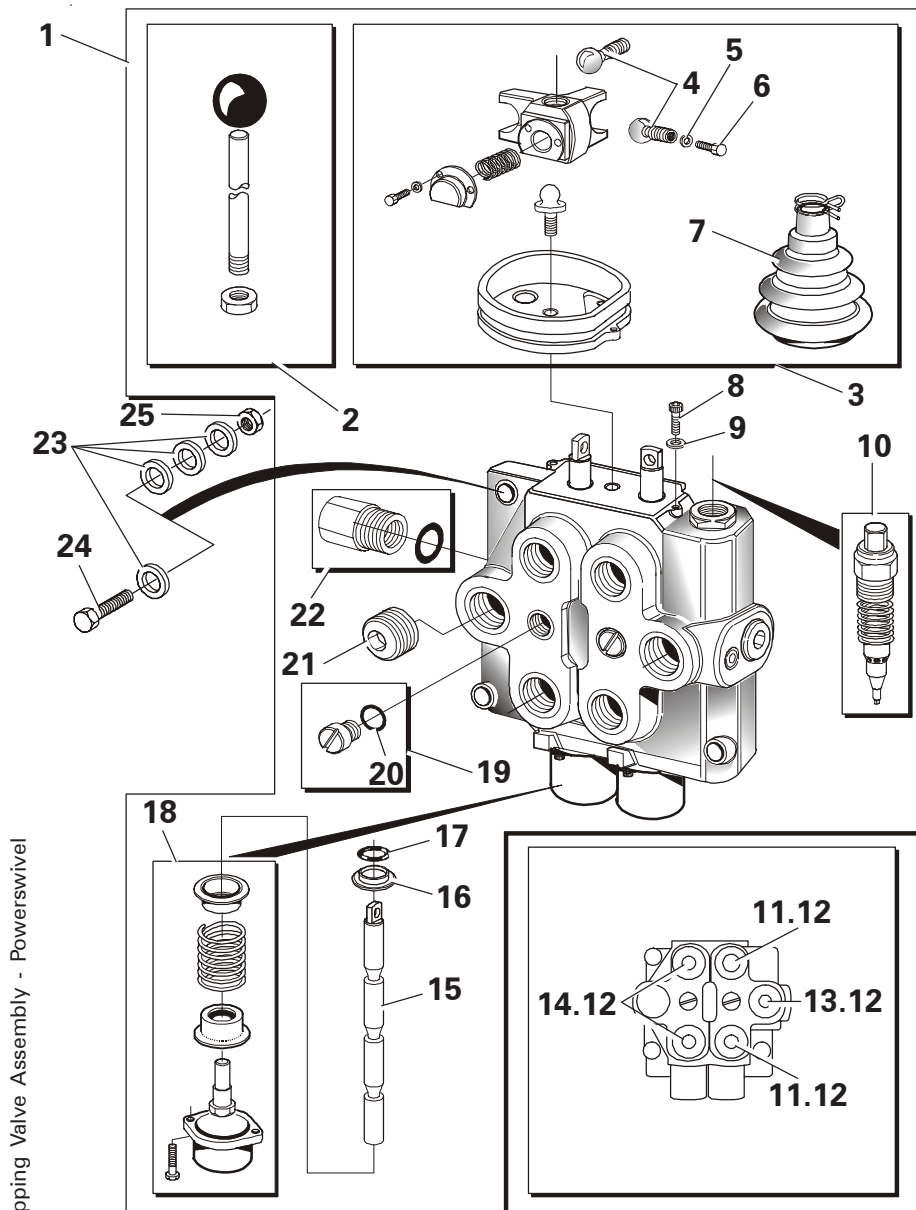
Item	Part No.	Description	Qty	U/M
1	T100705	HOSE	1.0	EA
2	T100708	HOSE	2.0	EA
3	T13457	NYLOC NUT	7.0	EA
4	T12973	PLAIN WASHER	7.0	EA
5	T100564	PIPE CLAMP	4.0	EA
6	T52552	LOCKNUT	6.0	EA
7	T100392	ADAPTOR	6.0	EA
8	T100729	HOSE	1.0	EA
9	T100728	HOSE	1.0	EA
10	T100720	HOSE	1.0	EA
11	T100707	HOSE	1.0	EA
12	T100710	HOSE	2.0	EA
13	T100709	HOSE	2.0	EA
14	T100767	HOSE	1.0	EA
15	T100565	PIPE CLAMP	2.0	EA
16	T52551	LOCKNUT	2.0	EA
17	T12483	ADAPTOR	2.0	EA
18	T100723	HOSE	1.0	EA
19	T100722	HOSE	1.0	EA
20	T100721	HOSE	2.0	EA
21	T100725	HOSE	1.0	EA
22	T100724	HOSE	1.0	EA
23	T14277	BOLT	1.0	EA
24	T12972	SPRING WASHER	1.0	EA
25	T100385	HOSE SUPPORT	1.0	EA
26	T14748	PLAIN WASHER	1.0	EA
27	T14283	PHILIDAS NUT	1.0	EA
28	T100189	HOSE	1.0	EA
29	T100190	HOSE	1.0	EA
30	T19114	PIPE CLAMP	2.0	EA
31	T100706	HOSE	1.0	EA



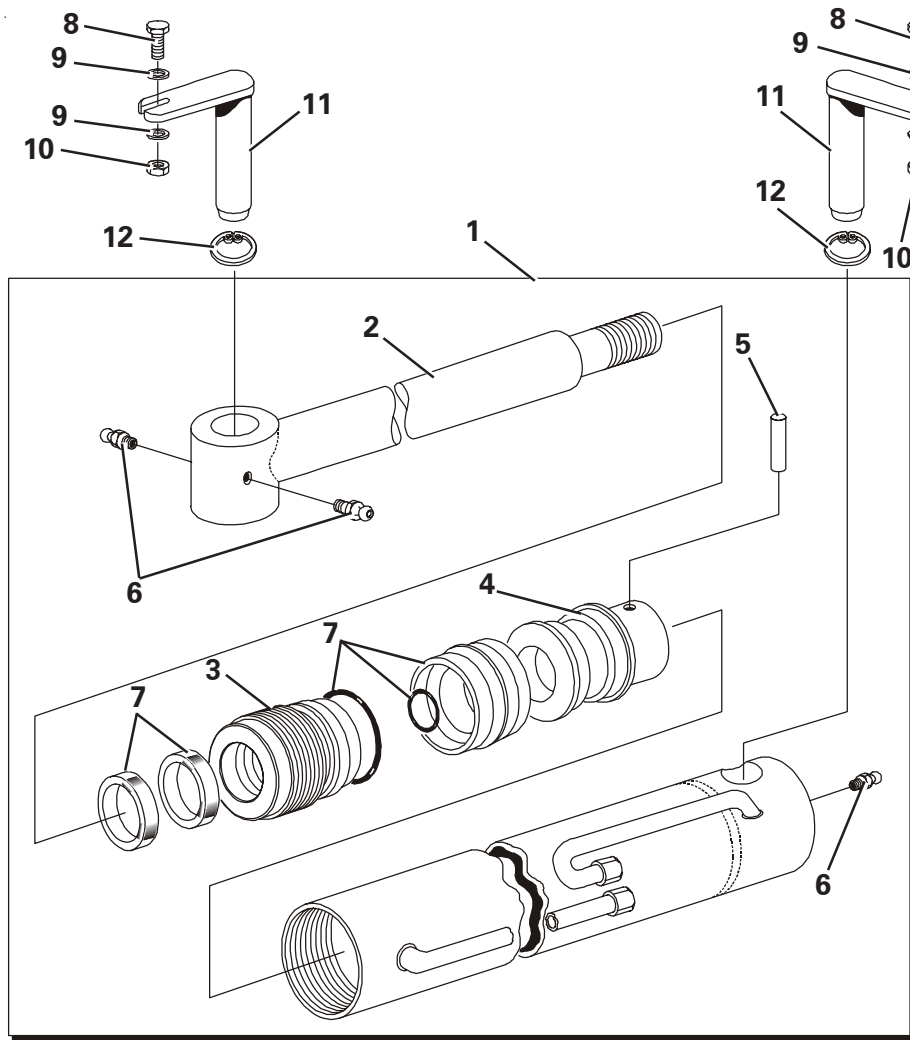
Hydraulic Circuit - Manual Powerswivel

TIPPING VALVE ASSEMBLY

Item	Part No.	Description	Qty	U/M
1	T100030	TIPPING VALVE ASSY	1.0	EA
2	T52667	LEVER ASSEMBLY	1.0	EA
3	T52666	LEVER BASE ASSEMBLY	1.0	EA
4	T52669	SWIVEL PINS	2.0	EA
5	T52670	SPRING WASHER	2.0	EA
6	T52671	SCREW	2.0	EA
7	T52668	RUBBER GAITER	1.0	EA
8	T52672	SCREW	2.0	EA
9	T52673	SPACER	2.0	EA
10	T52674	VALVE	1.0	EA
11	T52683	ADAPTOR	2.0	EA
12	T5596	HYDRAULIC SEAL	5.0	EA
13	T100465	ADAPTOR	1.0	EA
14	T52550	ADAPTOR	1.0	EA
15	T52675	SPOOL	2.0	EA
16	T52676	FLANGED WASHER	2.0	EA
17	T52677	SEAL	2.0	EA
18	T52678	CAP ASSEMBLY	2.0	EA
19	T52680	CHECK VALVE ASSEMBLY	2.0	EA
20	T52681	SEAL	2.0	EA
21	T52682	PLUG	1.0	EA
22	T52679	ADAPTOR	1.0	EA
23	T15819	PLAIN WASHER	12.0	EA
24	T16501	BOLT	3.0	EA
25	T13064	NUT	3.0	EA

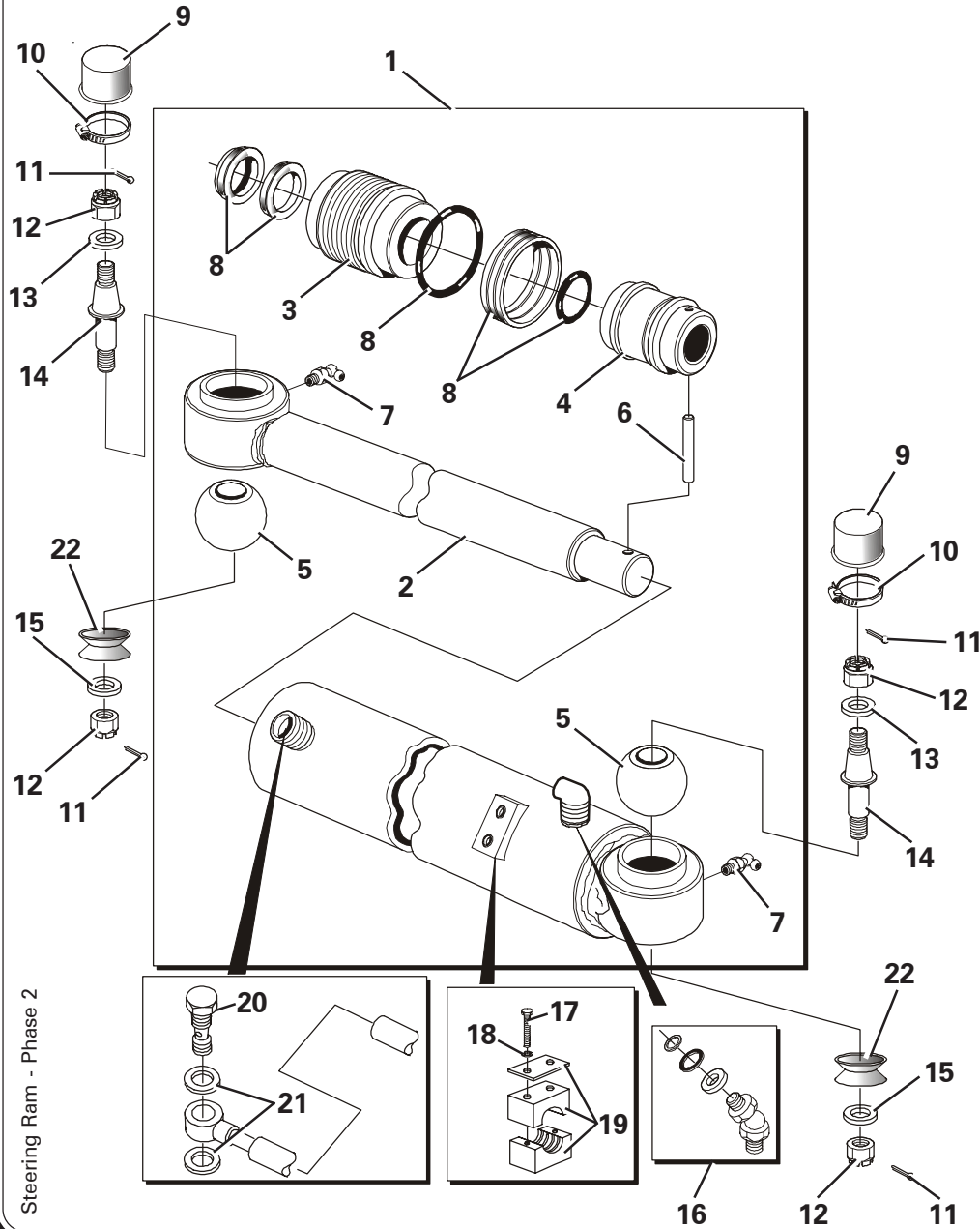


TIPPING RAM ASSEMBLY



Item	Part No.	Description	Qty	U/M
1	T100343	TIPPING RAM	1.0	EA
2	T52786	ROD ASSY	1.0	EA
3	T52787	HEADBUSH	1.0	EA
4	T52721	PISTON	1.0	EA
5	T52788	SPRING TENSION PIN	1.0	EA
6	T13454	GREASE NIPPLE	3.0	EA
7	T52789	SEAL KIT	1.0	EA
8	T16505	SET BOLT	2.0	EA
9	T15819	PLAIN WASHER	4.0	EA
10	T13064	NUT	2.0	EA
11	T100089	TIPPING RAM PIN	2.0	EA
12	T100098	CIRCLIP	2.0	EA

STEERING RAM ASSEMBLY

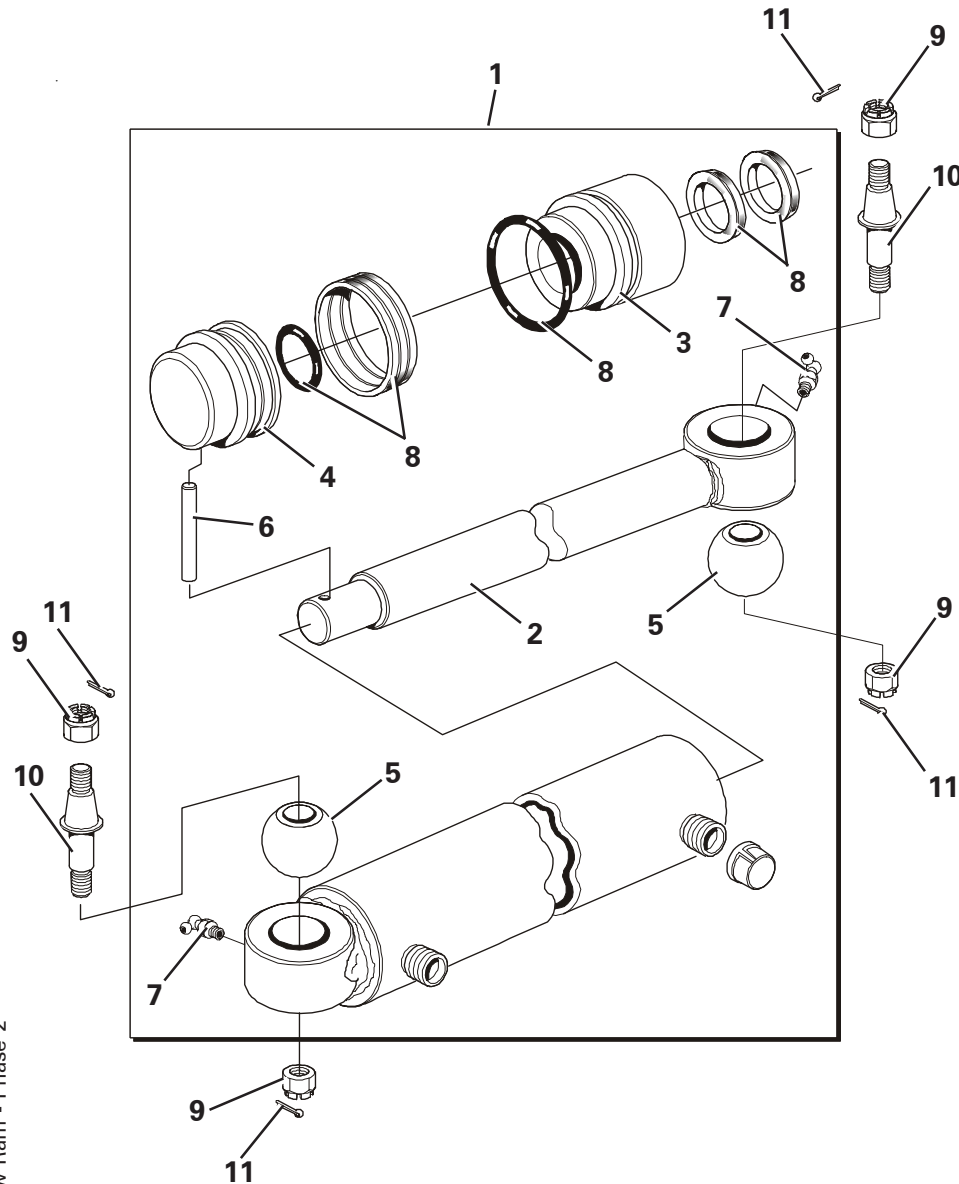


Item	Part No.	Description	Qty	U/M
1	T100654	STEERING RAM	1.0	EA
2	T52783	ROD ASSY	1.0	EA
3	T52784	HEADBUSH	1.0	EA
4	T50433	PISTON	1.0	EA
5	T51475	SPHERICAL BEARING	2.0	EA
6	T50487	TENSION PIN	1.0	EA
7	T5020	GREASE NIPPLE	2.0	EA
8	T52785	SEAL KIT	1.0	EA
9	T100652	RAM SEAL	2.0	EA
10	T7540	JUBILEE CLIP	2.0	EA
11	T6751	SPLIT PIN	4.0	EA
12	T100490	SLOTTED NUT	4.0	EA
13	T100777	PIN COLLAR	2.0	EA
14	T100483	RAM PIN	2.0	EA
15	T6768	WASHER	2.0	EA
16	T100775	ELBOW	1.0	EA
17	T17155	BOLT	2.0	EA
18	T14837	SPRING WASHER	2.0	EA
19	T100565	PIPE CLAMP	1.0	EA
20	T52793	BANJO BOLT	1.0	EA
21	T52794	WASHER	2.0	EA
22	T100653	RAM SEAL	2.0	EA

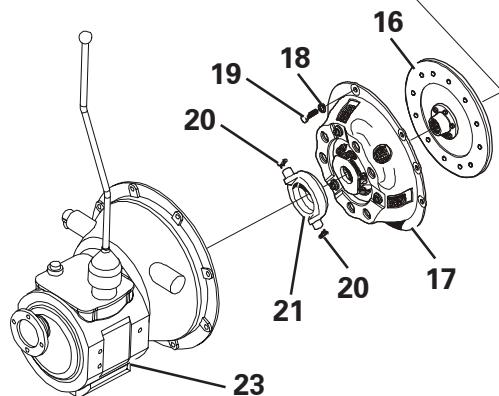
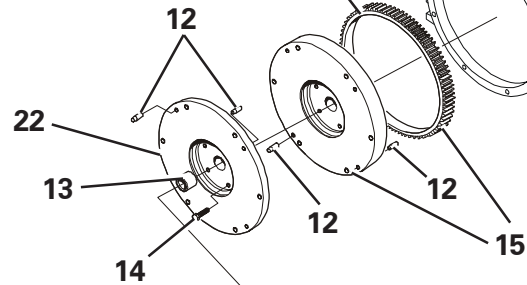
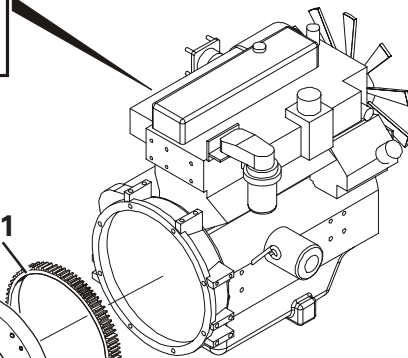
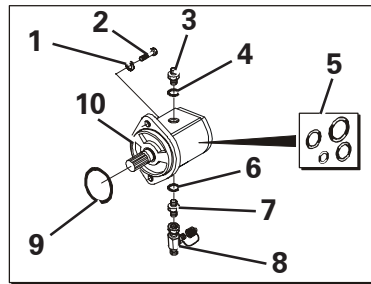
Steering Ram - Phase 2

SLEW RAM ASSEMBLY

Item	Part No.	Description	Qty	U/M
1	T100482	SLEW RAM	2.0	EA
2	T52537	ROD	1.0	EA
3	T50492	HEAD BUSH	1.0	EA
4	T50491	PISTON	1.0	EA
5	T50489	BEARING	2.0	EA
6	T50487	TENSION PIN	1.0	EA
7	T5020	GREASE NIPPLE	2.0	EA
8	T50490	SEAL KIT	1.0	EA
9	T100490	SLOTTED NUT	8.0	EA
10	T100483	RAM PIN	4.0	EA
11	T6751	SPLIT PIN	8.0	EA



Slew Ram - Phase 2

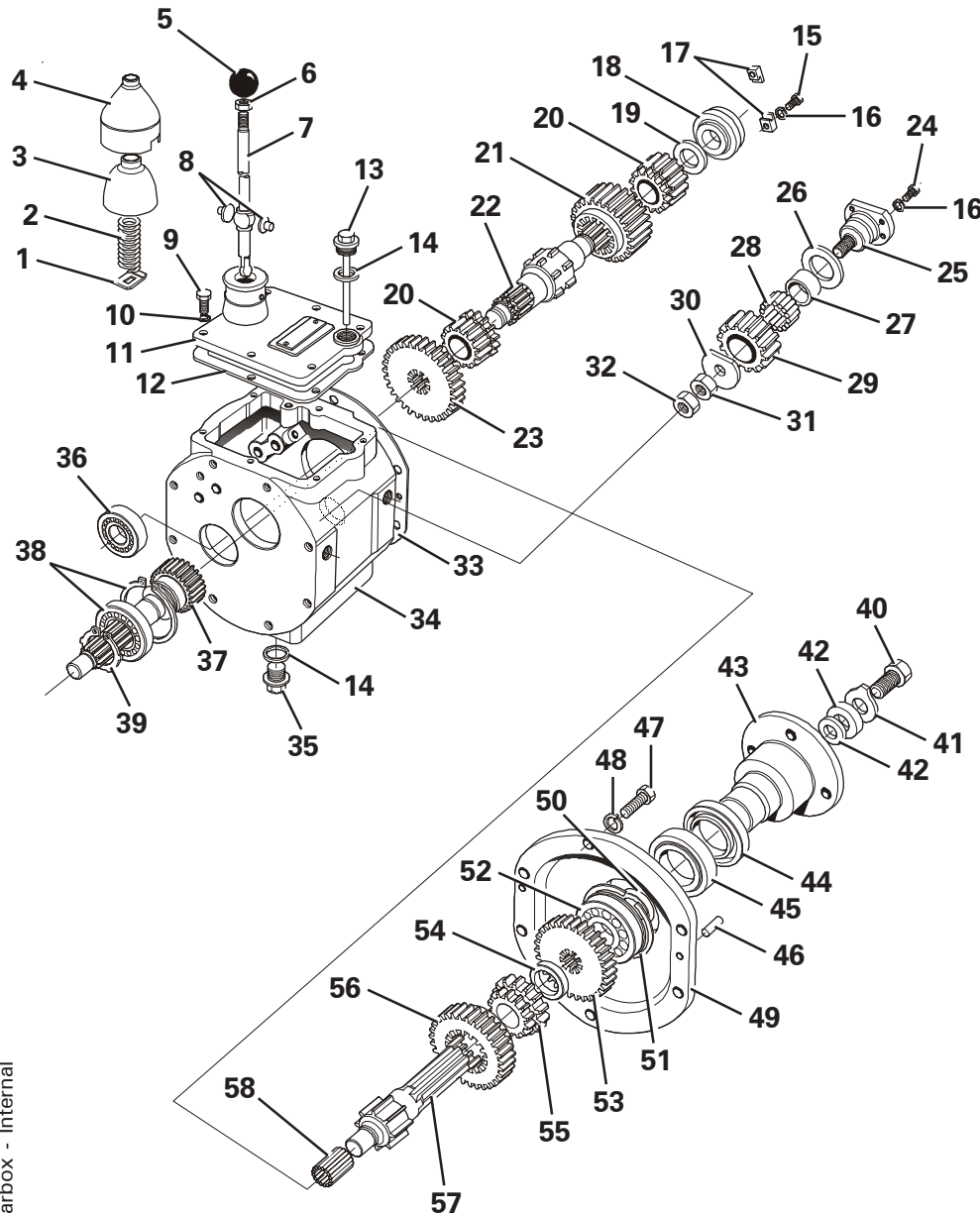


CLUTCH ASSEMBLY & HYD. PUMP

Item	Part No.	Description	Qty	U/M
1	T13362	SPRING WASHER	2.0	EA
2	T17969	CAPHEAD SET SCREW	2.0	EA
3	T8014	ADAPTOR	1.0	EA
4	T5594	HYD SEAL	1.0	EA
5	T52643	SEAL KIT	1.0	EA
6	T5596	HYDRAULIC SEAL	1.0	EA
7	T13936	ADAPTOR	1.0	EA
8	T18008	PRESSURE TEST POINT ADAPTOR	1.0	EA
9	T52891	O RING	1.0	EA
10	T100588	PUMP	1.0	EA
11	T53065	RING GEAR	1.0	EA
12	T100973	DOWEL	4.0	EA
13	T4520	BUSH	1.0	EA
14	T52838	BOLT	6.0	EA
15	T53073	FLYWHEEL ASSEMBLY	1.0	EA
16	T100904	CLUTCH DRIVEN PLATE	1.0	EA
17	T12193	CLUTCH COVER	1.0	EA
18	T12972	SPRING WASHER	6.0	EA
19	T6784	SET SCREW	6.0	EA
20	T7095	SPRING RETAINERS	2.0	EA
21	T6551	RELEASE BEARING	1.0	EA
22	T100889	CLUTCH ADAPTOR PLATE	1.0	EA
23	T100871	GEARBOX ASSEMBLY	1.0	EA

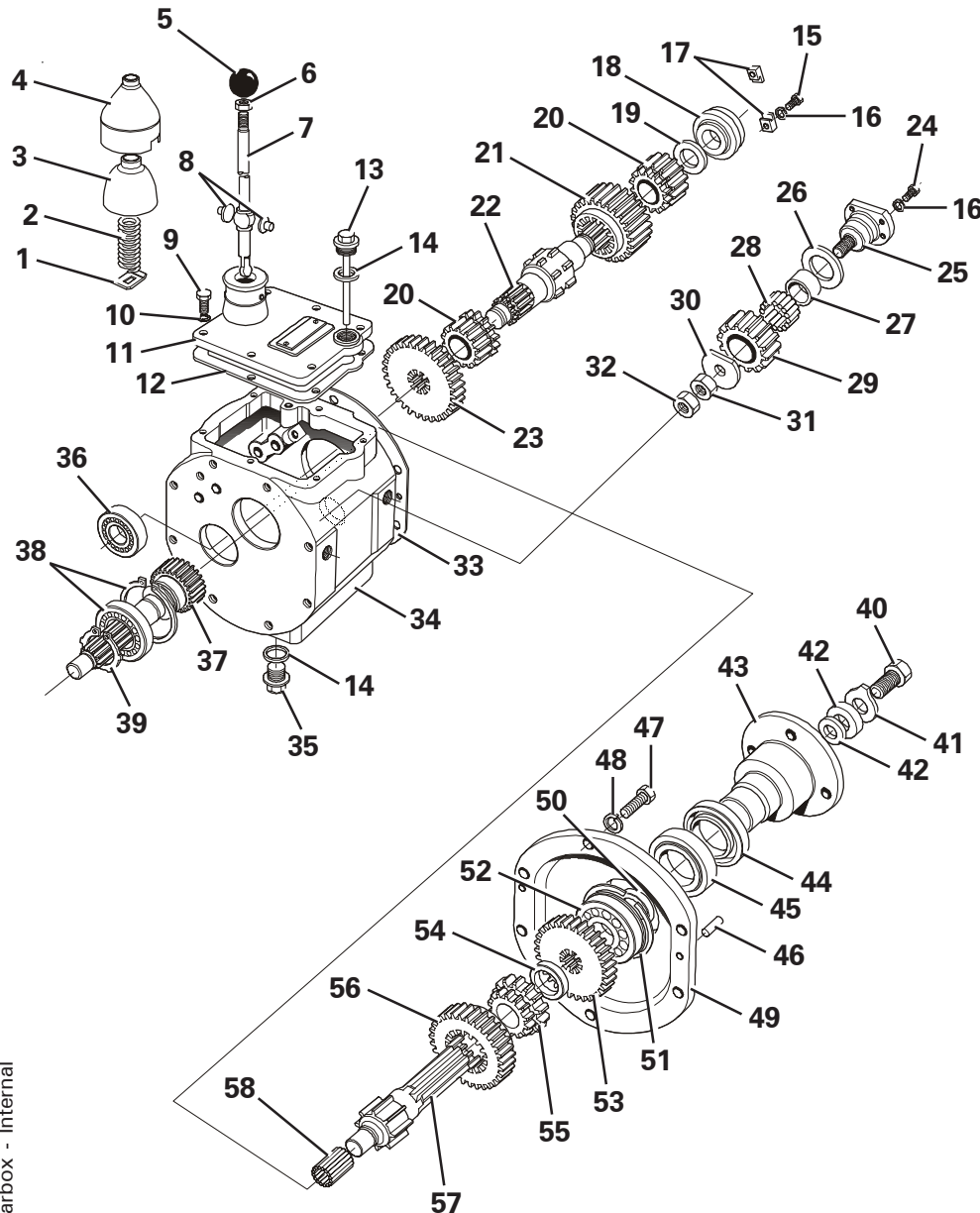
Clutch Assembly and Hyd Pump - 4 Tonne

GEARBOX - INTERNAL



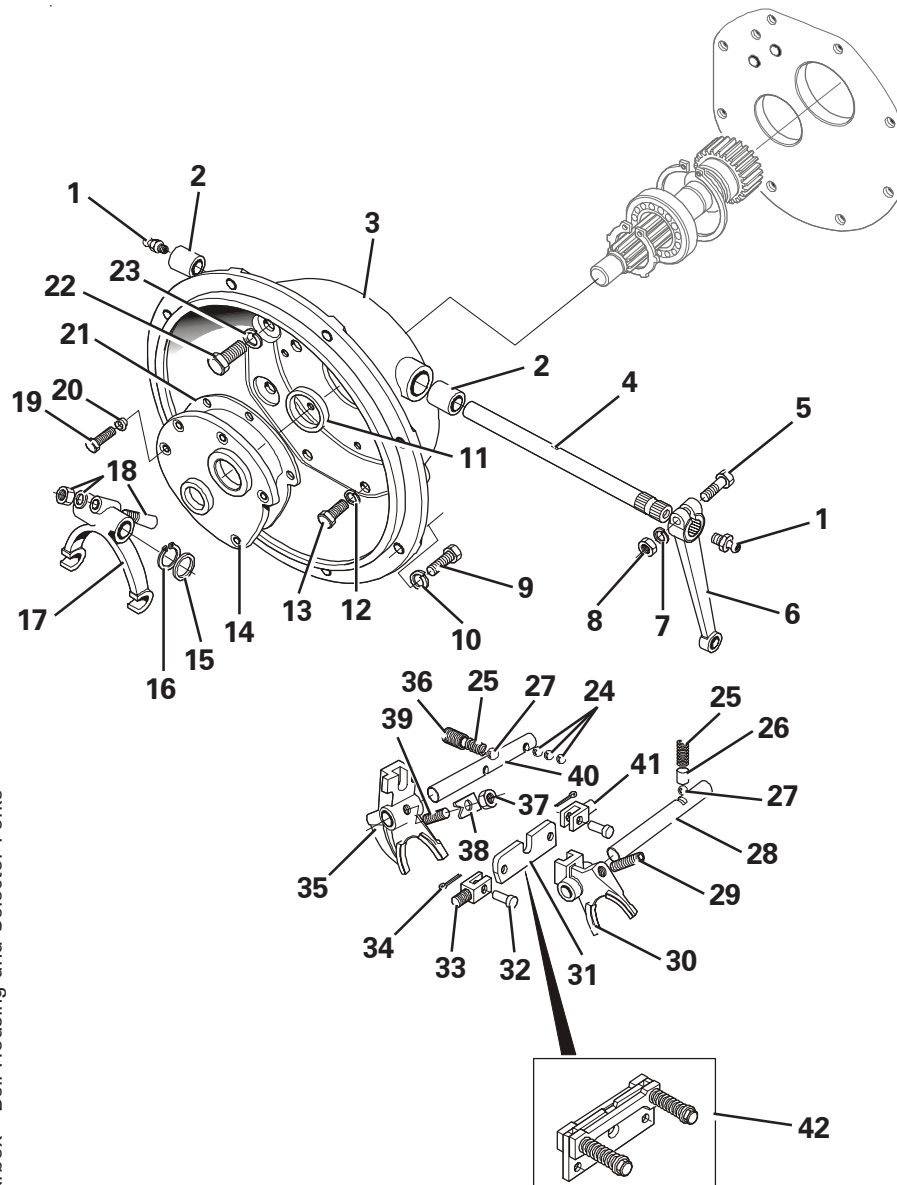
Item	Part No.	Description	Qty	U/M
1	T4508	RETAINER PLATES	1.0	EA
2	T4486	SPRING	1.0	EA
3	T4549	COVER	1.0	EA
4	T4485	COVER	1.0	EA
5	T4547	KNOB	1.0	EA
6	T7727	LOCKNUT	1.0	EA
7	T53063	GEAR LEVER ASSEMBLY	1.0	EA
8	T4507	PAD GEAR LEVER	2.0	EA
9	T3977	BOLT	6.0	EA
10	T14837	SPRING WASHER	6.0	EA
11	T4519	TOP COVER	1.0	EA
12	T4530	JOINT	1.0	EA
13	T3409	DIPSTICK	1.0	EA
14	T50423	BOND SEAL	2.0	EA
15	T6737	LONG SET SCREW	2.0	EA
16	T6738	SPRING WASHER	2.0	EA
17	T2824	BEARING CLIP	2.0	EA
18	T2839	BALL BEARING	1.0	EA
19	T2837	SPACER	1.0	EA
20	T2838	REVERSE SPEED GEAR	2.0	EA
21	T2836	2ND SPEED SLD GEAR	1.0	EA
22	T2835	LAYSHAFT	1.0	EA
23	T2833	1ST REDUCTION GEAR	1.0	EA
24	T6774	SET SCREW	4.0	EA
25	T3433	IDLER SHAFT	1.0	EA
26	T3410	THRUST WASHER	1.0	EA
27	T3411	INNER RING	1.0	EA
28	T3412	NEEDLE BEARING	1.0	EA
29	T2826	REVERSE PINION	1.0	EA

GEARBOX - INTERNAL



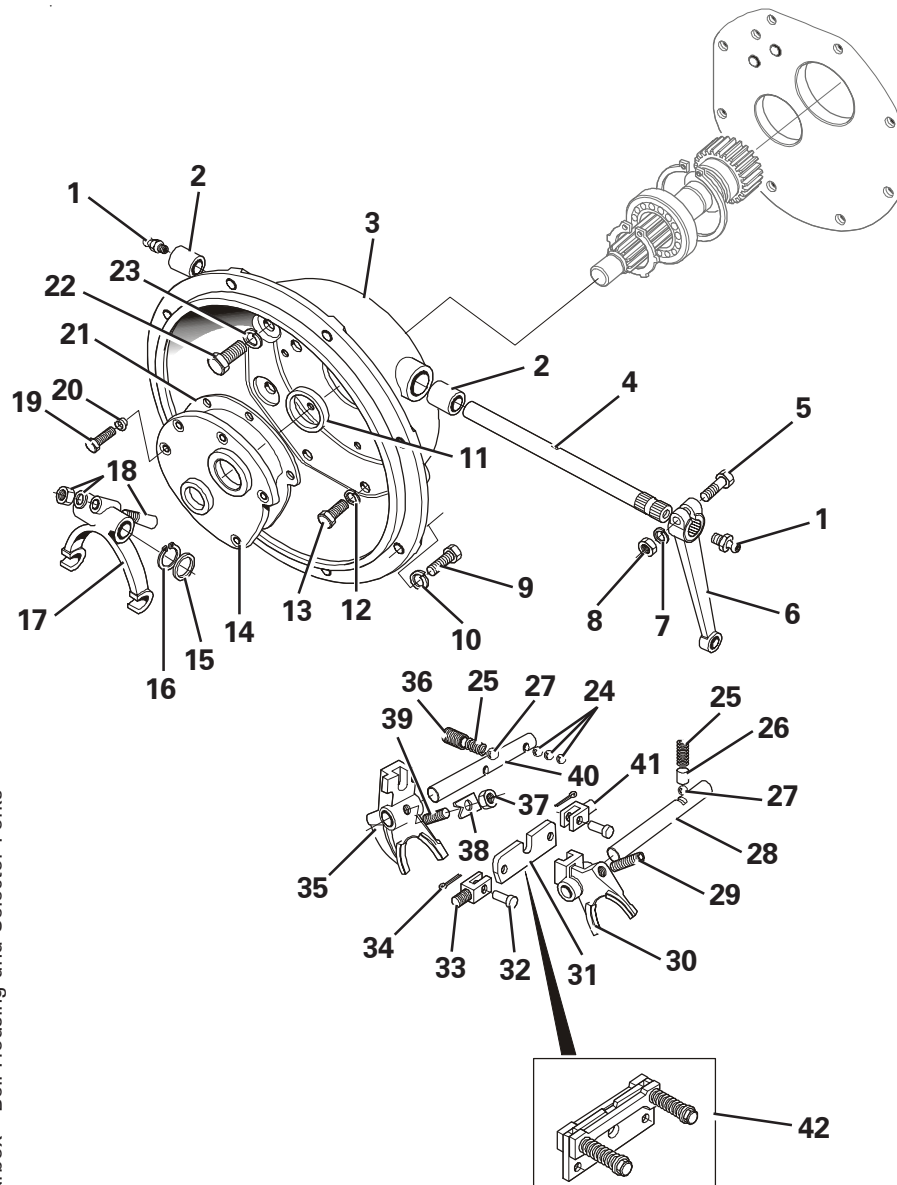
Item	Part No.	Description	Qty	U/M
30	T3431	WASHER	1.0	EA
31	T3613	NUT	1.0	EA
32	T6847	LOCKNUT	1.0	EA
33	T3687	GASKET	1.0	EA
34	T2832	GEARCASE	1.0	EA
35	T4248	PLUG	1.0	EA
36	T3419	BEARING	1.0	EA
37	T52345	INPUT SHAFT	1.0	EA
38	T3415	BEARING	1.0	EA
39	T3414	CIRCLIP	1.0	EA
40	T7078	LONG BOLT	1.0	EA
41	T4443	LOCK WASHER	1.0	EA
42	T3646	WASHER	1.0	EA
43	T4200	COUPLING	1.0	EA
44	T4253	DUST EXCLUDER	1.0	EA
45	T4531	OILSEAL	1.0	EA
46	T3745	DOWEL	2.0	EA
47	T3685	SCREW	6.0	EA
48	T13362	SPRING WASHER	6.0	EA
49	T3318	END COVER	1.0	EA
50	T3427	SPACER	1.0	EA
51	T2822	SPACER	1.0	EA
52	T4441	BEARING	1.0	EA
53	T2830	OUTPUT GEAR	1.0	EA
54	T2822	SPACER	1.0	EA
55	T4559	SPEED GEAR	1.0	EA
56	T2825	1ST SPEED SLD GEAR	1.0	EA
57	T52346	MAINSHAFT	1.0	EA
58	T50612	PLANET CAGE ROLLER	1.0	EA

G/BOX - HOUSING & SELECTOR FORKS



Item	Part No.	Description	Qty	U/M
1	T6673	GREASE NIPPLE	2.0	EA
2	T4403	BUSH	2.0	EA
3	T1701	CLUTCH HOUSING	1.0	EA
4	T2777	CLUTCH SHAFT	1.0	EA
5	T7977	BOLT	1.0	EA
6	T4428	CLUTCH OP LEVER	1.0	EA
7	T6738	SPRING WASHER	1.0	EA
8	T7717	NUT	1.0	EA
9	T8142	SET BOLT	12.0	EA
10	T14865	SPRING WASHER	12.0	EA
11	T3224	INPUT OILSEAL	1.0	EA
12	T12972	SPRING WASHER	2.0	EA
13	T50267	BOLT	2.0	EA
14	T3435	FRONT COVER	1.0	EA
15	T4481	WASHER	1.0	EA
16	T4468	CIRCLIP	1.0	EA
17	T4430	CLUTCH FORK	1.0	EA
18	T4429	COTTER PIN-NUT & WASHER	1.0	EA
19	T3977	BOLT	6.0	EA
20	T3741	WASHER	6.0	EA

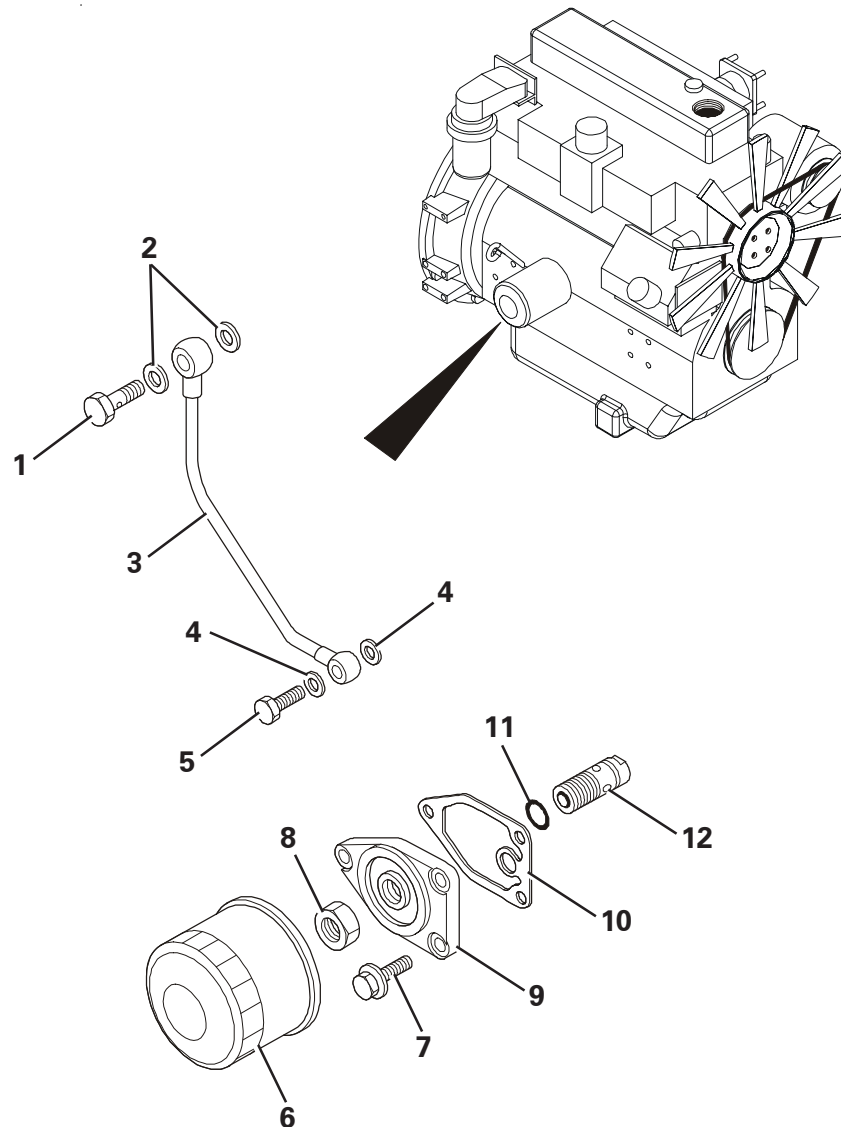
G/BOX - HOUSING & SELECTOR FORKS



Item	Part No.	Description	Qty	U/M
21	T3404	GASKET	1.0	EA
22	T3744	SCREW	6.0	EA
23	T13362	SPRING WASHER	4.0	EA
23A	T2984	WASHER	2.0	EA
24	T3407	STEEL BALLS	3.0	EA
25	T4420	DETENT SPRING	1.0	EA
26	T3428	PACKING DETENT SPRING	1.0	EA
27	T4464	BEARING	2.0	EA
28	T3422	SELECTOR SHAFT	1.0	EA
29	T3408	GRUB SCREW	1.0	EA
30	T50464	SELECTOR FORK 2ND/3RD	1.0	EA
31	T50462	INTERLOCK SAFETY PLATE	1.0	EA
32	T4512	CLEVIS PIN	2.0	EA
33	T4514	STUD SHORT	1.0	EA
34	T6744	SPLIT PIN	2.0	EA
35	T50463	SELECTOR FORK 1ST/REV	1.0	EA
36	T3406	GRUB SCREW	1.0	EA
37	T9775	NUT	1.0	EA
38	T3420	LOCK WASHER	1.0	EA
39	T3405	GRUB SCREW	1.0	EA
40	T3421	SELECTOR SHAFT	1.0	EA
41	T3437	STUD	1.0	EA
42	T50551	INTERLOCK PLATE ASSY.	1.0	EA

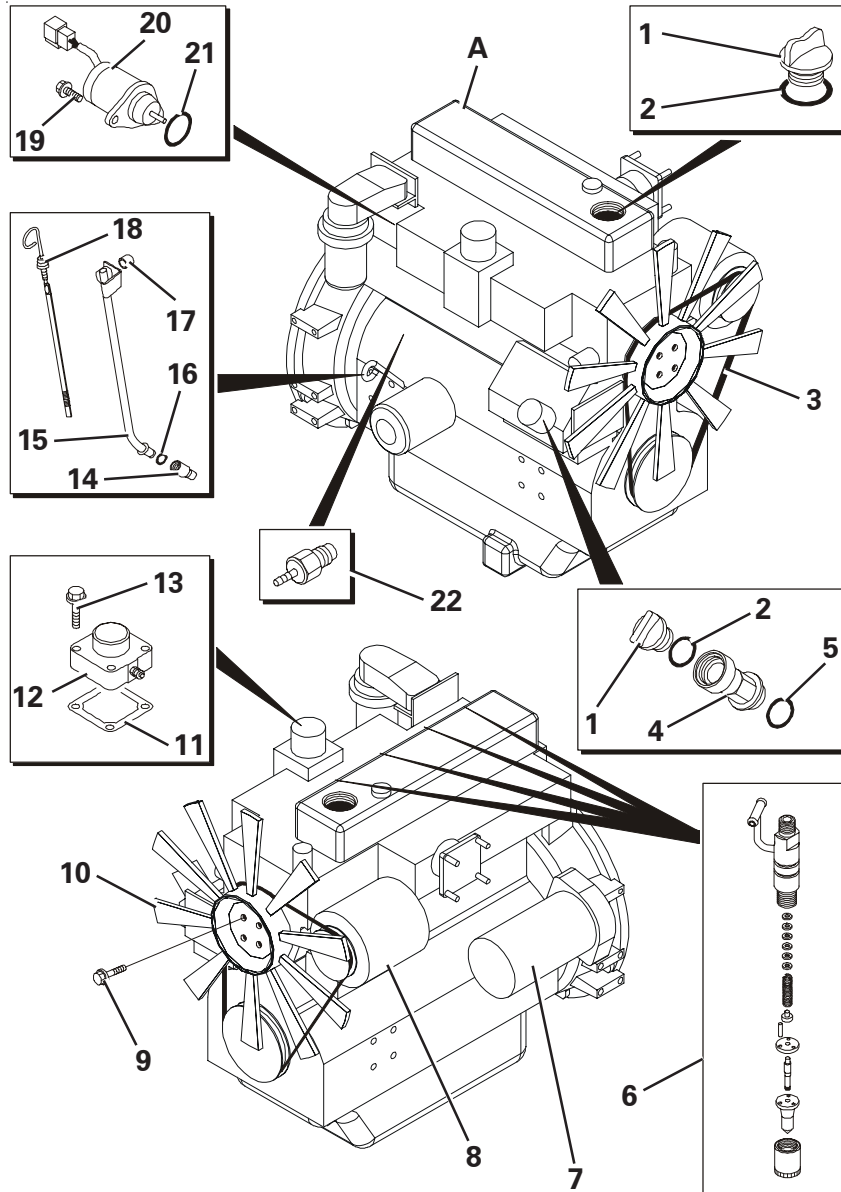
Gearbox - Bell Housing and Selector Forks

ENGINE - OIL FILTER ASSEMBLY



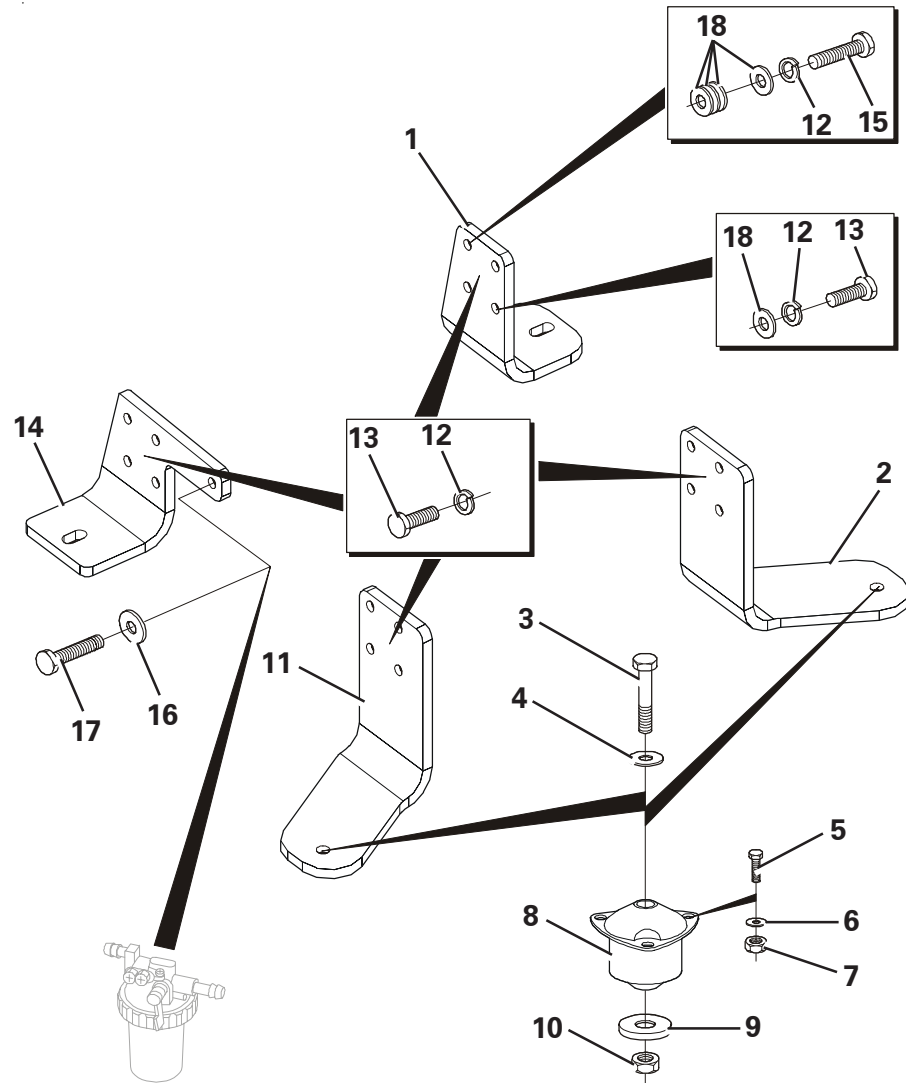
Item	Part No.	Description	Qty	U/M
1	T53038	BOLT	1.0	EA
2	T53039	WASHER	2.0	EA
3	T53040	PIPE ASSEMBLY	1.0	EA
4	T53041	WASHER	2.0	EA
5	T53042	BOLT	1.0	EA
6	T52686	OIL FILTER	1.0	EA
7	T53043	BOLT	1.0	EA
8	T53044	NUT	1.0	EA
9	T53045	BRACKET	1.0	EA
10	T53046	GASKET	1.0	EA
11	T52901	O RING	1.0	EA
12	T53047	BOLT	1.0	EA

ENGINE - ACCESSORIES



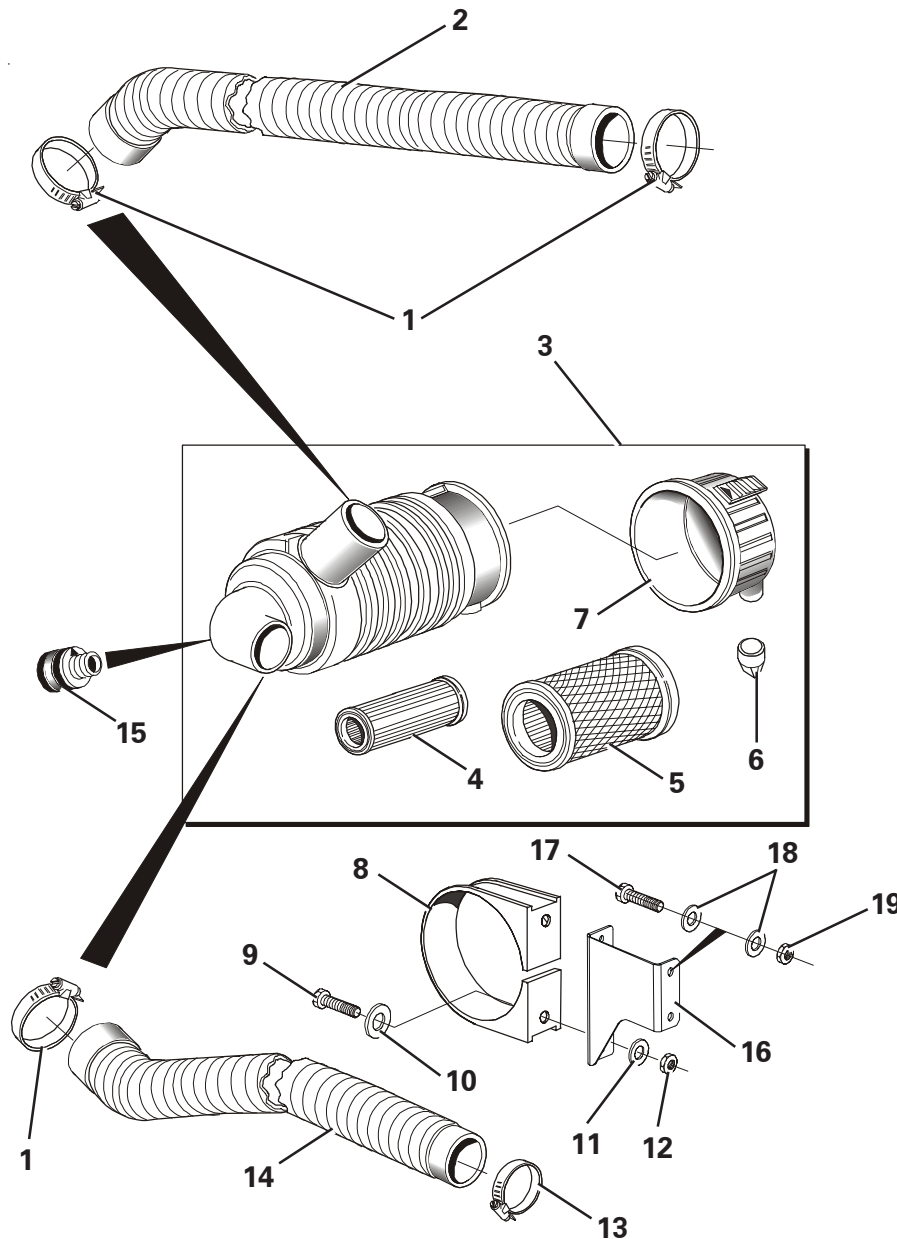
Item	Part No.	Description	Qty	U/M
A	T100684	ENGINE	1.0	EA
1	T52816	CAP	2.0	EA
2	T52817	O RING	2.0	EA
3	T53048	BELT	1.0	EA
4	T52818	PIPE	1.0	EA
5	T52819	O RING	1.0	EA
6	T52820	VALVE ASSEMBLY	4.0	EA
7	T52689	STARTER MOTOR	1.0	EA
8	T52690	GENERATOR	1.0	EA
9	T53050	BOLT	4.0	EA
10	T52821	FAN	1.0	EA
11	T52824	GASKET	1.0	EA
12	T52823	HEATER	1.0	EA
13	T52825	BOLT	4.0	EA
14	T52830	GUIDE	1.0	EA
15	T52827	GUIDE	1.0	EA
16	T52829	O RING	1.0	EA
17	T52828	SPACER	1.0	EA
18	T52826	DIPSTICK	1.0	EA
19	T52835	BOLT	2.0	EA
20	T52833	STOP SOLENOID	1.0	EA
21	T52834	O RING	1.0	EA
22	T52832	OIL PRESSURE SWITCH	1.0	EA

ENGINE MOUNTINGS



Item	Part No.	Description	Qty	U/M
1	T100673	ENGINE MOUNT FRONT RH	1.0	EA
2	T100675	ENGINE MOUNT REAR RH	1.0	EA
3	T14819	BOLT	4.0	EA
4	T6769	THICK WASHER	4.0	EA
5	T12694	SET SCREW	12.0	EA
6	T12973	PLAIN WASHER	12.0	EA
7	T19007	PHILIDAS NUT	12.0	EA
8*	T14564	ENGINE MOUNT	4.0	EA
9	T9046	WASHER	4.0	EA
10	T14283	PHILIDAS NUT	4.0	EA
11	T100676	ENGINE MOUNT REAR LH	1.0	EA
12	T13362	SPRING WASHER	16.0	EA
13	T7466	SET SCREW	15.0	EA
14	T100674	ENGINE MOUNT FRONT LH	1.0	EA
15	T16505	SET BOLT	1.0	EA
16	T12973	PLAIN WASHER	1.0	EA
17	T16666	BOLT	1.0	EA
18	T10734	H/DUTY WASHER	5.0	EA

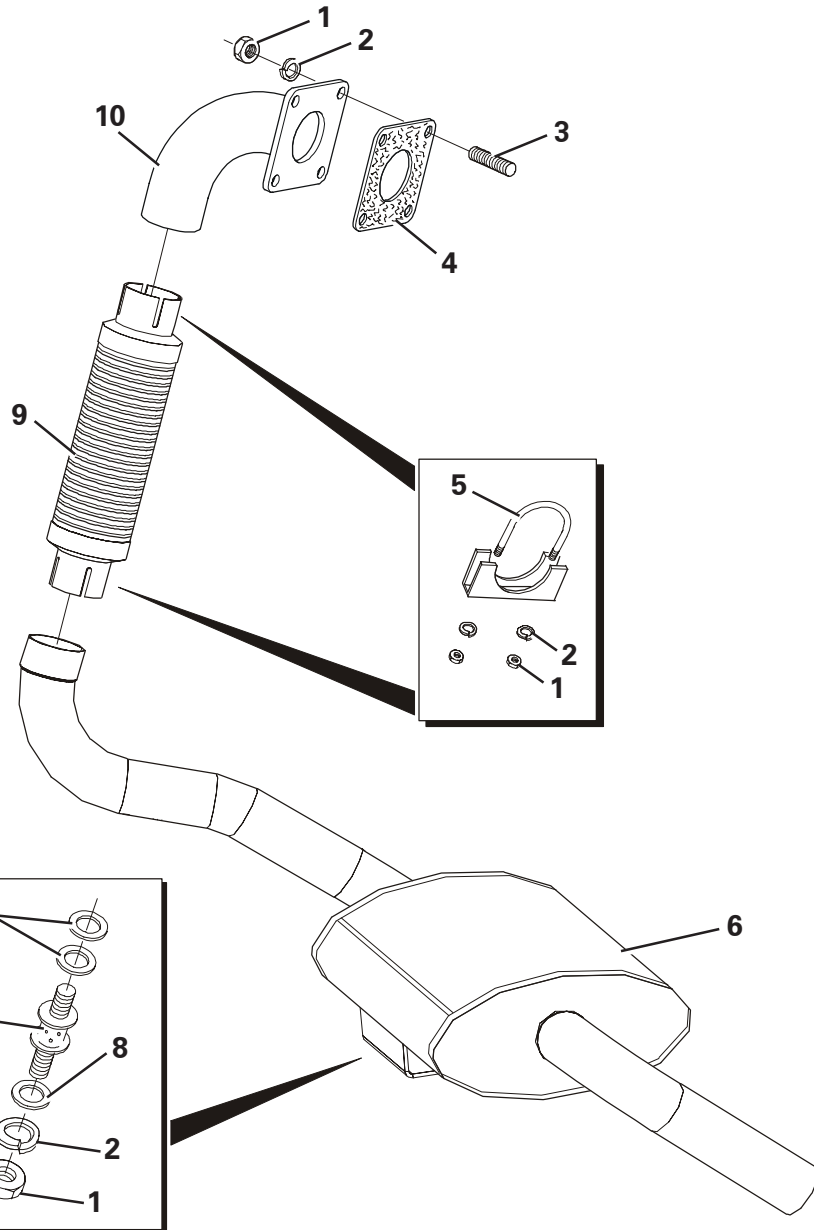
AIR CLEANER ASSEMBLY



Item	Part No.	Description	Qty	U/M
1	T7540	JUBILEE CLIP	3.0	EA
2	T100638	FLEXIBLE AIR CLEANER HOSE	1.0	EA
3	T100234	AIR CLEANER	1.0	EA
4	T52648	SAFETY ELEMENT	1.0	EA
5	T52647	MAIN ELEMENT	1.0	EA
6	T51772	VAC VALVE	1.0	EA
7	T52649	DUST COVER	1.0	EA
8	T100478	AIR CLEANER MOUNTING BAND	1.0	EA
9	T14152	BOLT	2.0	EA
10	T9345	WASHER	2.0	EA
11	T12973	PLAIN WASHER	2.0	EA
12	T13457	NYLOC NUT	2.0	EA
13	T7872	JUBILEE CLIP	1.0	EA
14	T100637	FLEXIBLE AIR CLEANER HOSE	1.0	EA
15	T100282	RESTRICTION INDICATOR	1.0	EA
16	T100941	MOUNTING BRACKET	1.0	EA
17	T7466	SET SCREW	2.0	EA
18	T15819	PLAIN WASHER	4.0	EA
19	T13064	NUT	2.0	EA

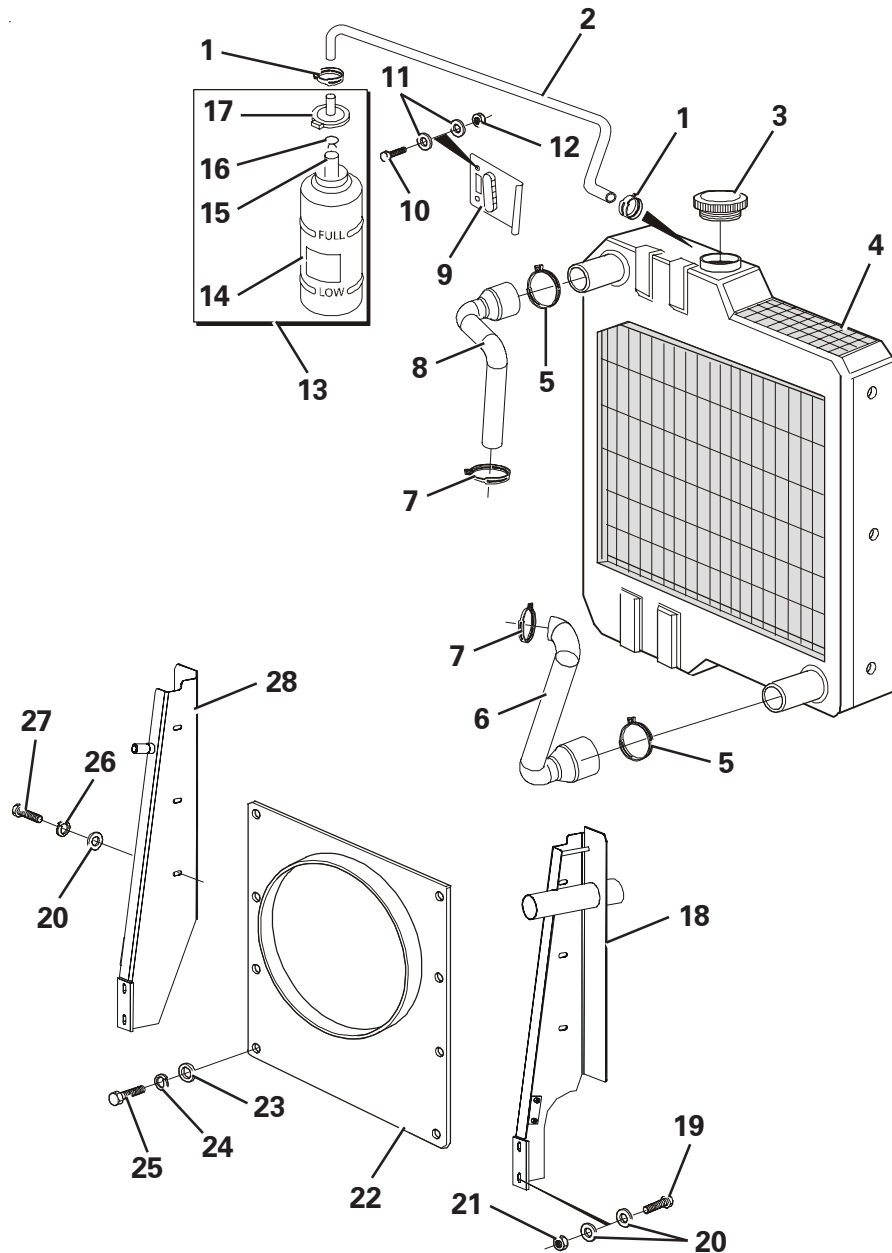
EXHAUST SYSTEM

Item	Part No.	Description	Qty	U/M
1	T9775	NUT	11.0	EA
2	T12972	SPRING WASHER	11.0	EA
3	T52797	STUD	4.0	EA
4	T52685	EXHAUST GASKET	1.0	EA
5	T18834	EXHAUST CLAMP	2.0	EA
6	T100601	EXHAUST SILENCER	1.0	EA
7	T100796	RUBBER BUFFER	3.0	EA
8	T12973	PLAIN WASHER	3.0	EA
9	T100602	EXHAUST FLEXIBLE	1.0	EA
10	T100603	MANIFOLD PIPE	1.0	EA
11	T9345	WASHER	6.0	EA



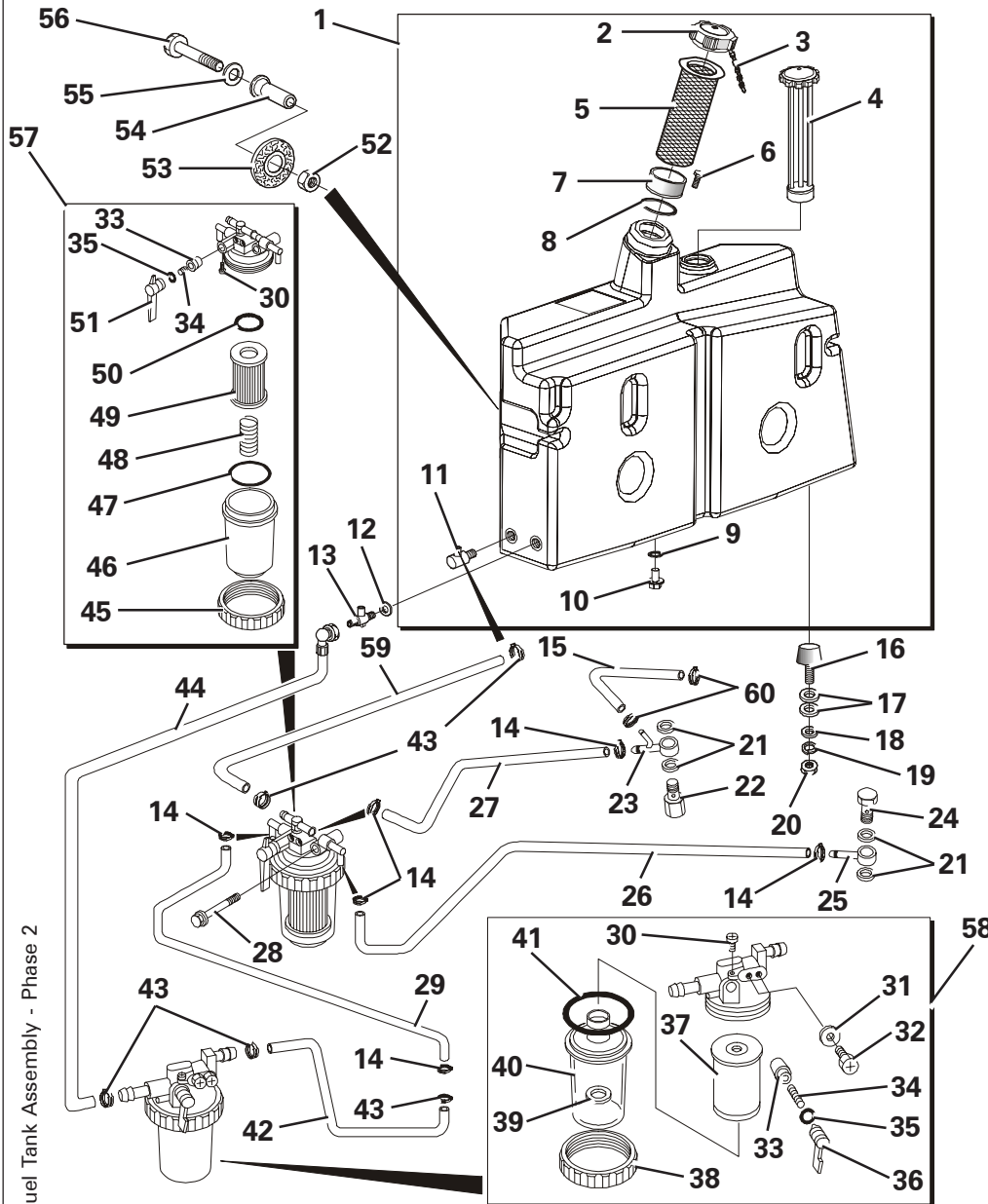
Exhaust System - Hydrostatic

RADIATOR & FIXINGS

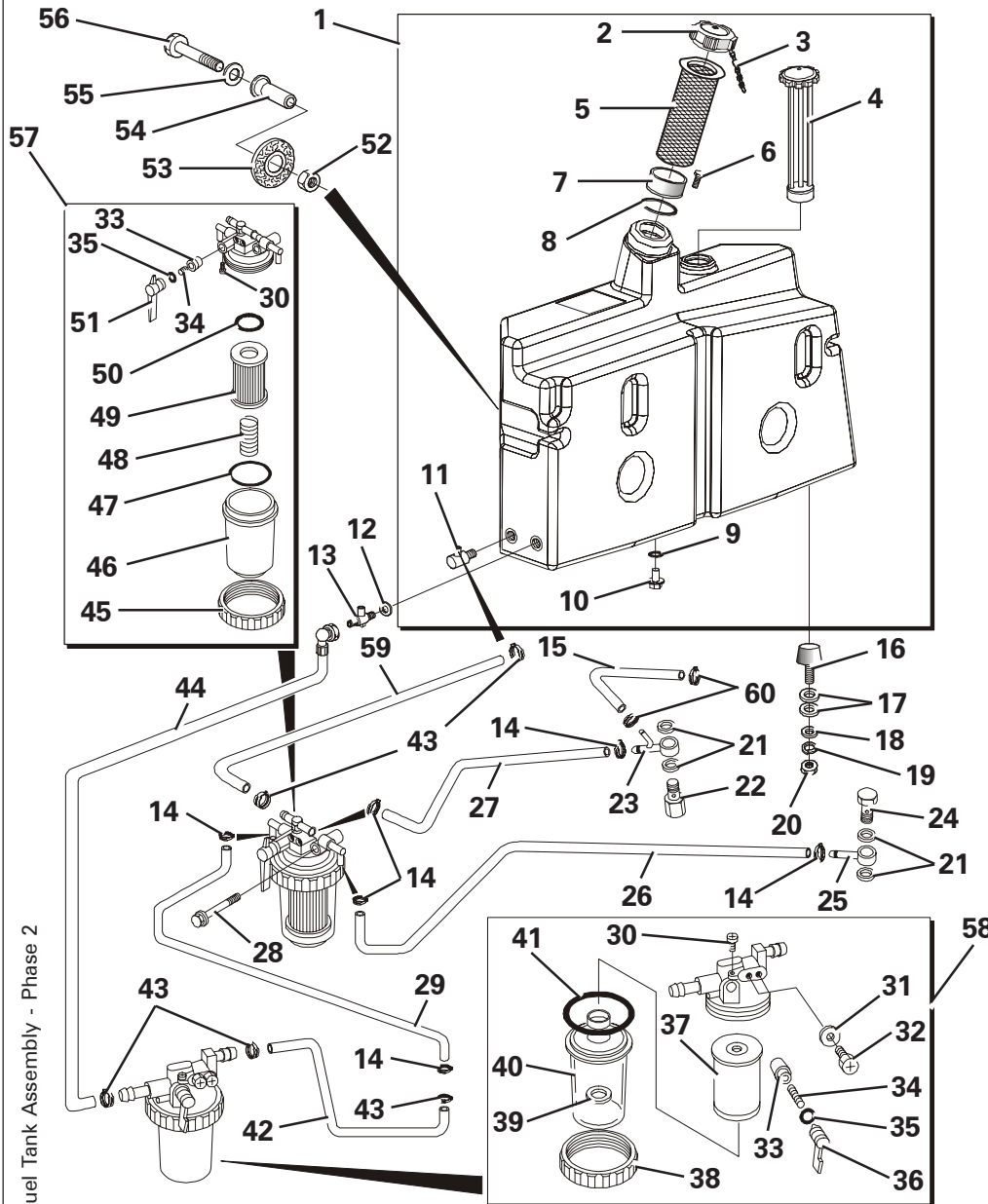


Item	Part No.	Description	Qty	U/M
1	T100421	SPRING BAND CLAMP	2.0	EA
2	T100748	HOSE	1.0	EA
3	T52889	RADIATOR CAP	1.0	EA
4*	T101364	RADIATOR	1.0	EA
5	T100422	SPRING BAND CLAMP	2.0	EA
6	T100619	RADIATOR HOSE (BTM)	1.0	EA
7	T100687	SPRING BAND CLAMP	2.0	EA
8	T100618	RADIATOR HOSE (TOP)	1.0	EA
9	T52805	BRACKET SUB-TANK	1.0	EA
10	T7465	SET SCREW	2.0	EA
11	T12973	PLAIN WASHER	4.0	EA
12	T13457	NYLOC NUT	2.0	EA
13	T52800	TANK ASSEMBLY	1.0	EA
14	T52801	TANK	1.0	EA
15	T52804	PIPE	1.0	EA
16	T52803	CLAMP	1.0	EA
17	T52802	CAP	1.0	EA
18	T100493	RADIATOR MOUNTING BRKT (LH)	1.0	EA
19	T20618	SET SCREW	4.0	EA
20	T10734	H/DUTY WASHER	14.0	EA
21	T13064	NUT	4.0	EA
22*	T53107	RADIATOR COWL	1.0	EA
23	T13911	FLAT WASHER	8.0	EA
24	T14837	SPRING WASHER	8.0	EA
25	T10917	SET BOLT	8.0	EA
26	T13362	SPRING WASHER	6.0	EA
27	T7466	SET SCREW	6.0	EA
28	T100494	RADIATOR MOUNTING BRKT (RH)	1.0	EA

FUEL TANK ASSEMBLY



Item	Part No.	Description	Qty	U/M
1	T100374	PLASTIC FUEL TANK 45L	1.0	EA
2	T52283	FUEL FILLER CAP	1.0	EA
3	T52437	FILLER CAP CHAIN	1.0	EA
4	T52498	LEVEL GAUGE	1.0	EA
5	T52284	STRAINER	1.0	EA
6	T52590	SCREW	4.0	EA
7	T52543	FILLER CAP COLLAR	1.0	EA
8	T52589	O RING	1.0	EA
9	T52588	FIBRE WASHER	1.0	EA
10	T52282	DRAIN PLUG	1.0	EA
11	T52372	FUEL RETURN ELBOW	1.0	EA
12	T5695	FIBRE WASHER FUEL TAP	1.0	EA
13	T5694	FUEL TAP	1.0	EA
14	T52882	CLAMP	6.0	EA
15	T52876	PIPE	1.0	EA
16	T100214	RUBBER BUFFER	2.0	EA
17	T8128	WASHER	4.0	EA
18	T9345	WASHER	2.0	EA
19	T12972	SPRING WASHER	2.0	EA
20	T9775	NUT	2.0	EA
21	T52879	SEAL WASHER	4.0	EA
22	T52880	VALVE ASSY	1.0	EA
23	T52878	JOINT	1.0	EA
24	T52883	BOLT	1.0	EA
25	T52906	JOINT	1.0	EA
26	T52905	PIPE	1.0	EA
27	T52881	PIPE	1.0	EA
28	T52904	BOLT	1.0	EA
29	T52907	PIPE	1.0	EA
30	T52884	SCREW	2.0	EA



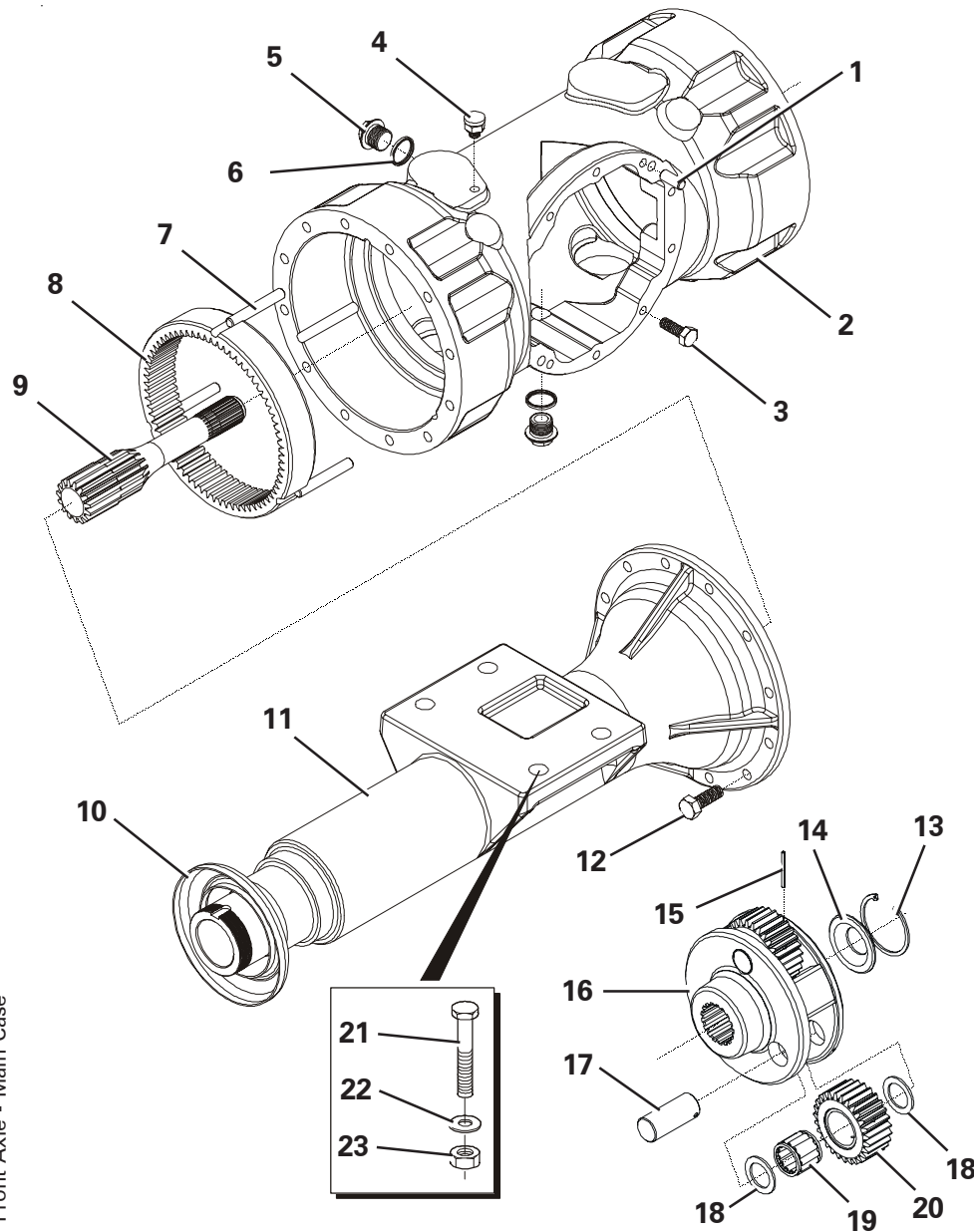
FUEL TANK ASSEMBLY

Item	Part No.	Description	Qty	U/M
31	T52885	NYLON GASKET	2.0	EA
32	T52886	PLUG	2.0	EA
33	T52887	VALVE	2.0	EA
34	T52888	SPRING	2.0	EA
35	T52829	O RING	2.0	EA
36	T52890	HANDLE	1.0	EA
37	T52691	SCREEN FILTER	1.0	EA
38	T52895	RING	1.0	EA
39	T52894	FLOAT	1.0	EA
40	T52893	STRAINER CUP	1.0	EA
41	T52892	O RING	1.0	EA
42	T100745	FUEL HOSE	1.0	EA
43	T100691	HOSE CLIP	5.0	EA
44	T100744	FUEL HOSE	1.0	EA
45	T52897	RING	1.0	EA
46	T52898	STRAINER CUP	1.0	EA
47	T52899	O RING	1.0	EA
48	T52900	SPRING	1.0	EA
49	T52687	ELEMENT FUEL OIL	1.0	EA
50	T52901	O RING	1.0	EA
51	T52902	LEVER	1.0	EA
52	T12762	LOCKING NUT	2.0	EA
53	T100323	RUBBER BACKED WASHER	2.0	EA
54	T100372	TANK SPACER	2.0	EA
55	T17184	HEAVY DUTY WASHER	2.0	EA
56	T17963	BOLT	2.0	EA
57	T52903	FUEL STRAINER ASSY	1.0	EA
58	T52896	WATER SEPERATOR ASSY	1.0	EA
59	T100746	FUEL HOSE	1.0	EA
60	T52877	CLAMP	2.0	EA

Fuel Tank Assembly - Phase 2

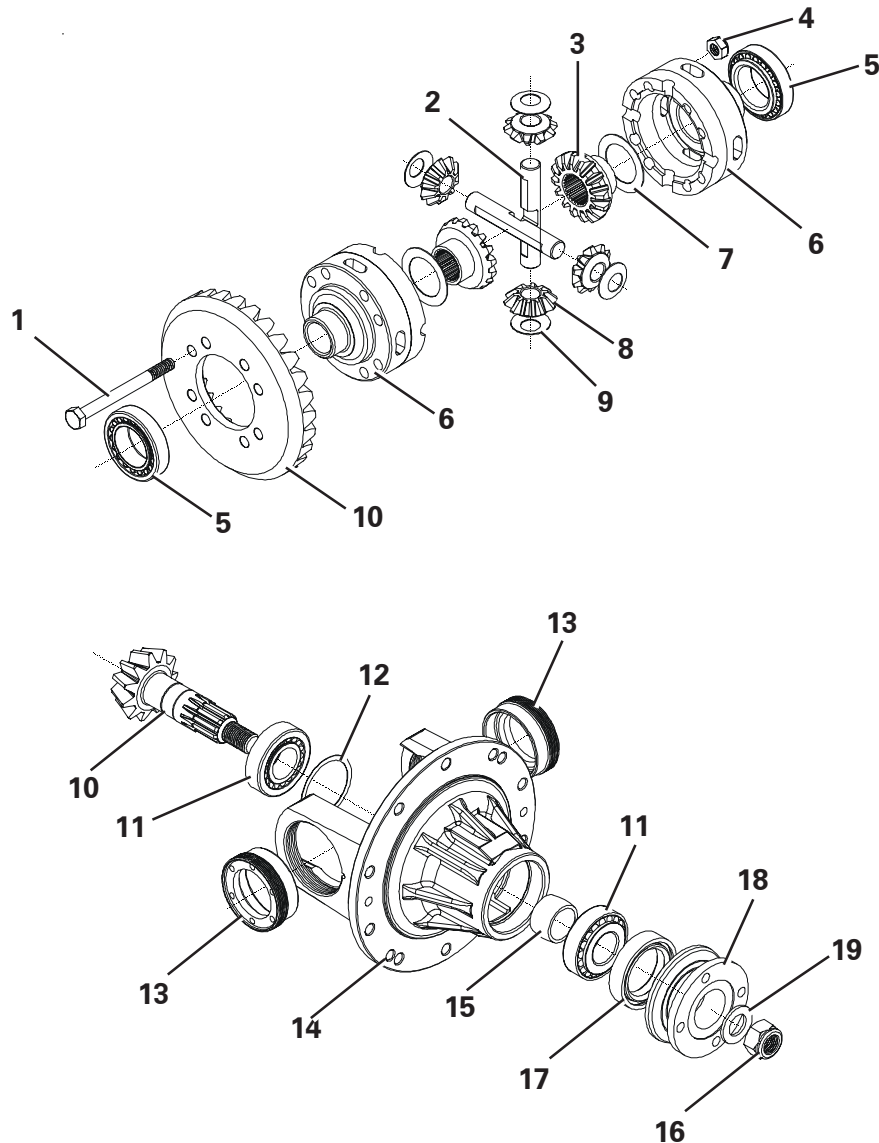
FRONT AXLE - MAIN CASE

Item	Part No.	Description	Qty	U/M
A	T100544	FRONT AXLE ASSEMBLY	1.0	EA
1	T3019	DOWEL PIN	2.0	EA
2	T52808	MAIN CASE	1.0	EA
3	T52599	FIXING BOLT	10.0	EA
4*	T53442	BREATHER	1.0	EA
5*	T53074	PLUG	2.0	EA
6	T50423	BOND SEAL	2.0	EA
7	T52761	DOWEL PIN	6.0	EA
8	T52756	ANNULUS	2.0	EA
9	T52760	SUN GEAR	2.0	EA
10	T52759	HUB SEAL COVER	2.0	EA
11	T52809	AXLE ARM	2.0	EA
12	T52762	BOLT	24.0	EA
13	T2687	CIRCLIP	2.0	EA
14	T50365	SPACER AXLE SHAFT	2.0	EA
15	T2880	SPRING DOWEL	6.0	EA
16	T52734	PLANET CARRIER	2.0	EA
17	T52736	PLANET PIN	6.0	EA
18	T50367	THRUST WASHER	12.0	EA
19	T52737	NEEDLE BEARING	6.0	EA
20	T52735	PLANET GEAR	6.0	EA
21	T11315	BOLT	8.0	EA
22	T100867	PLAIN WASHER	8.0	EA
23	T14910	NUT	8.0	EA



Front Axle - Main Case

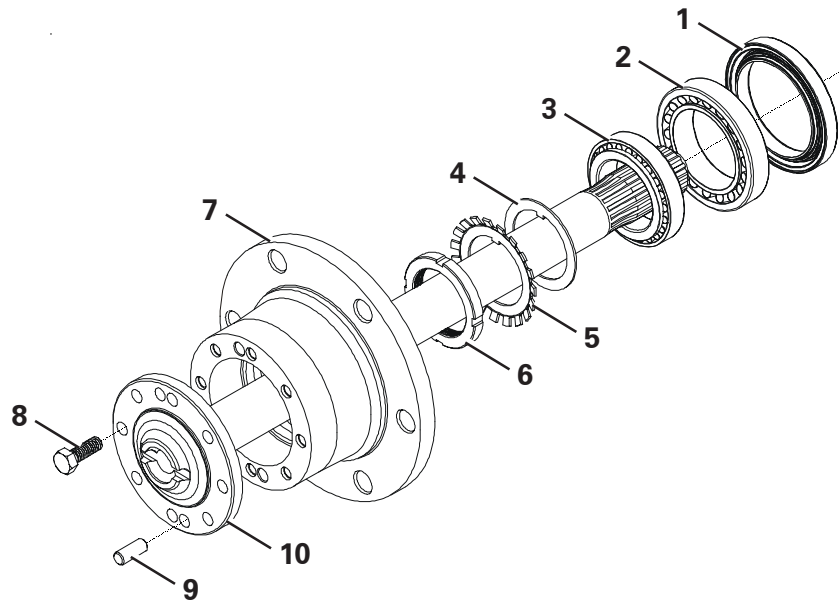
FRONT AXLE - DIFF. ASSEMBLY



Item	Part No.	Description	Qty	U/M
1	T2886	BOLT	8.0	EA
2	T52733	DIFF SPIDER (HALF)	2.0	EA
3	T50298	DIFF. WHEEL	2.0	EA
4	T2991	NUT	8.0	EA
5	T52782	BEARING	2.0	EA
6	T2890	DIFF CASE	1.0	EA
7	T2888	THRUST WASHER	2.0	EA
8	T50299	DIFF. PINION	4.0	EA
9	T3027	THRUST WASHER	4.0	EA
10	T3036	BEVEL WHEEL & PINION	1.0	EA
11	T2893	PINION BEARING	2.0	EA
12	T50302	SHIM 0.25MM	A/R	EA
	T50303	SHIM 0.30MM	A/R	EA
	T50304	SHIM 0.40MM	A/R	EA
13	T52781	BEARING ADJUSTER NUT	2.0	EA
14	T52810	INPUT PINION CARTRIDGE	1.0	EA
15	T2892	SPACER	1.0	EA
16	T3012	NUT	1.0	EA
17	T2891	OILSEAL	2.0	EA
18	T52811	INPUT DRIVE FLANGE ASSY	1.0	EA
19	T3013	WASHER	1.0	EA

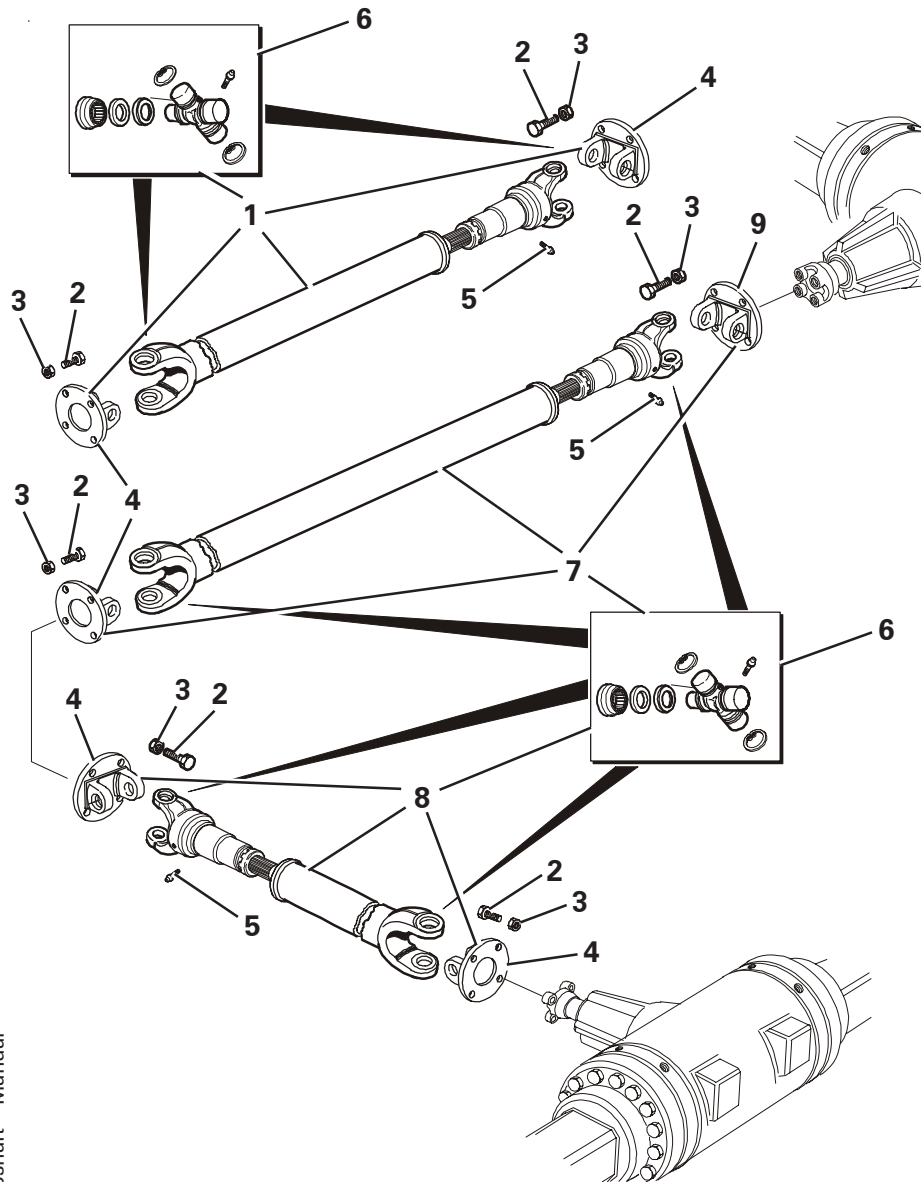
FRONT AXLE - HUB & ARM

Item	Part No.	Description	Qty	U/M
1	T52745	OIL SEAL	2.0	EA
2	T52741	BEARING	2.0	EA
3	T52740	BEARING	2.0	EA
4	T52742	SPACER	2.0	EA
5	T52743	LOCKWASHER	2.0	EA
6	T52748	LOCKNUT	2.0	EA
7	T52738	HUB	2.0	EA
8	T52746	BOLT	16.0	EA
9	T52744	DOWEL	4.0	EA
10	T52755	AXLE SHAFT	2.0	EA



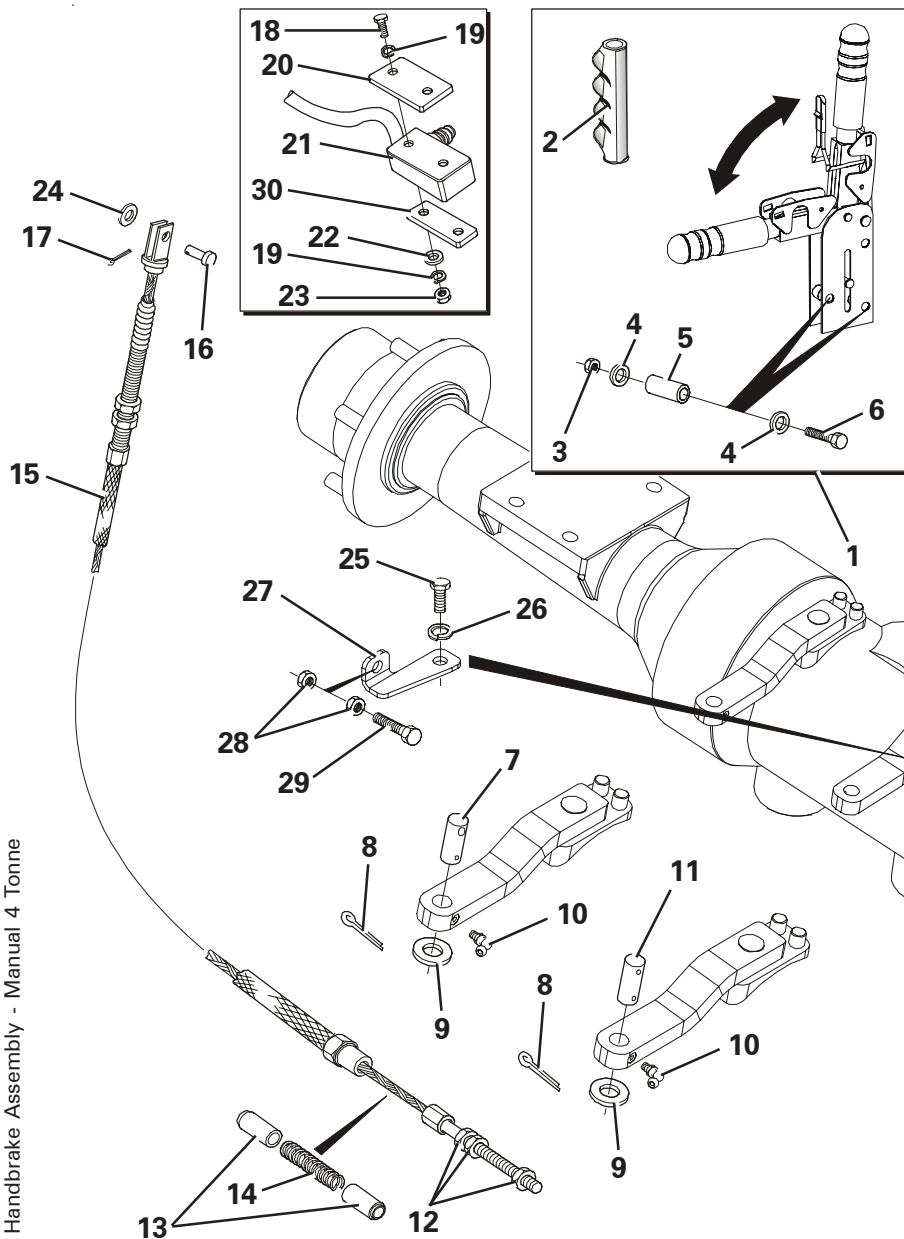
PROPSHAFTS

Item	Part No.	Description	Qty	U/M
1	T100834	PROPSHAFT TOP	1.0	EA
2	T7628	BOLT	24.0	EA
3	T7631	PHILIDAS NUT	24.0	EA
4	T52813	FLANGE	6.0	EA
5	T13454	STRAIGHT GREASE NIPPLE	3.0	EA
6	T52812	UNIVERSAL JOINT	6.0	EA
7	T100835	PROPSHAFT REAR	1.0	EA
8	T100833	PROPSHAFT FRONT	1.0	EA
9	T53052	FLANGE	1.0	EA



HANDBRAKE ASSEMBLY

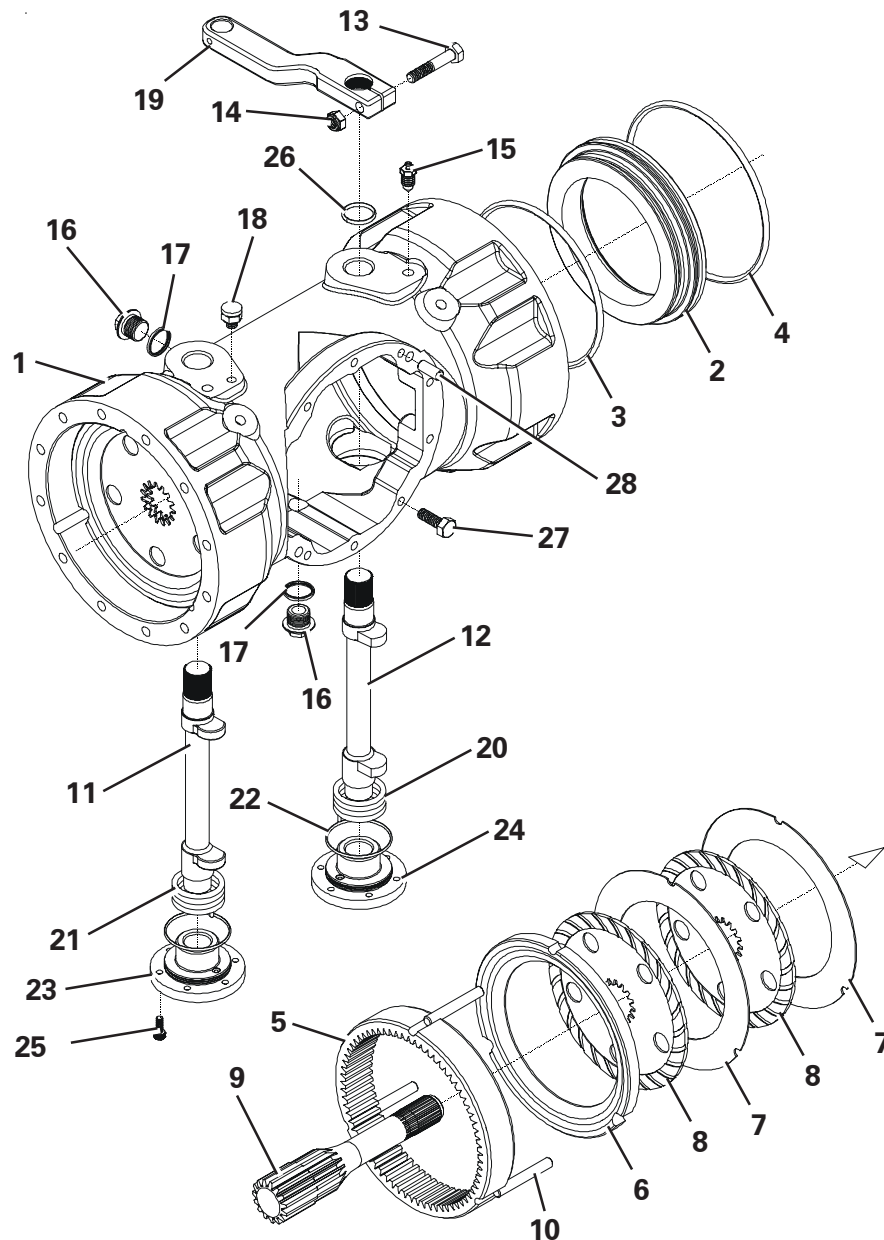
Item	Part No.	Description	Qty	U/M
1	T100893	HANDBRAKE LEVER	1.0	EA
2	T52947	GRIP	1.0	EA
3	T13064	NYLOC NUT	2.0	EA
4	T15819	WASHER	4.0	EA
5	T10869	SPACER	2.0	EA
6	T16501	BOLT	2.0	EA
7	T12210	HANDBRAKE CABLE GUIDE	1.0	EA
8	T6751	SPLIT PIN	2.0	EA
9	T6766	WASHER	2.0	EA
10	T16587	GREASE NIPPLE	2.0	EA
11	T12211	HANDBRAKE CABLE STOP	1.0	EA
12	T6719	NUT	3.0	EA
13	T11768	SPRING SUPPORT	2.0	EA
14	T9722	GALVANISED HANDBRAKE SPRING	1.0	EA
15	T100957	HANDBRAKE CABLE	1.0	EA
16	T14101	CLEVIS PIN	1.0	EA
17	T6702	SPLIT PIN	1.0	EA
18	T13321	SET SCREW	2.0	EA
19	T11439	SPRING WASHER	4.0	EA
20	T13289	BACKING PLATE	1.0	EA
21	T100912	MICRO SWITCH	1.0	EA
22	T11440	WASHER	2.0	EA
23	T11447	NUT	2.0	EA
24	T12973	PLAIN WASHER	1.0	EA
25	T15641	SET SCREW	1.0	EA
26	T12972	SPRING WASHER	1.0	EA
27	T100905	BRAKE LEVER STOP BRKT	1.0	EA
28	T10431	NUT	2.0	EA
29	T11433	SET SCREW	1.0	EA
30*	T101186	MICROSWITCH SPACER	1.0	EA



Handbrake Assembly - Manual 4 Tonne

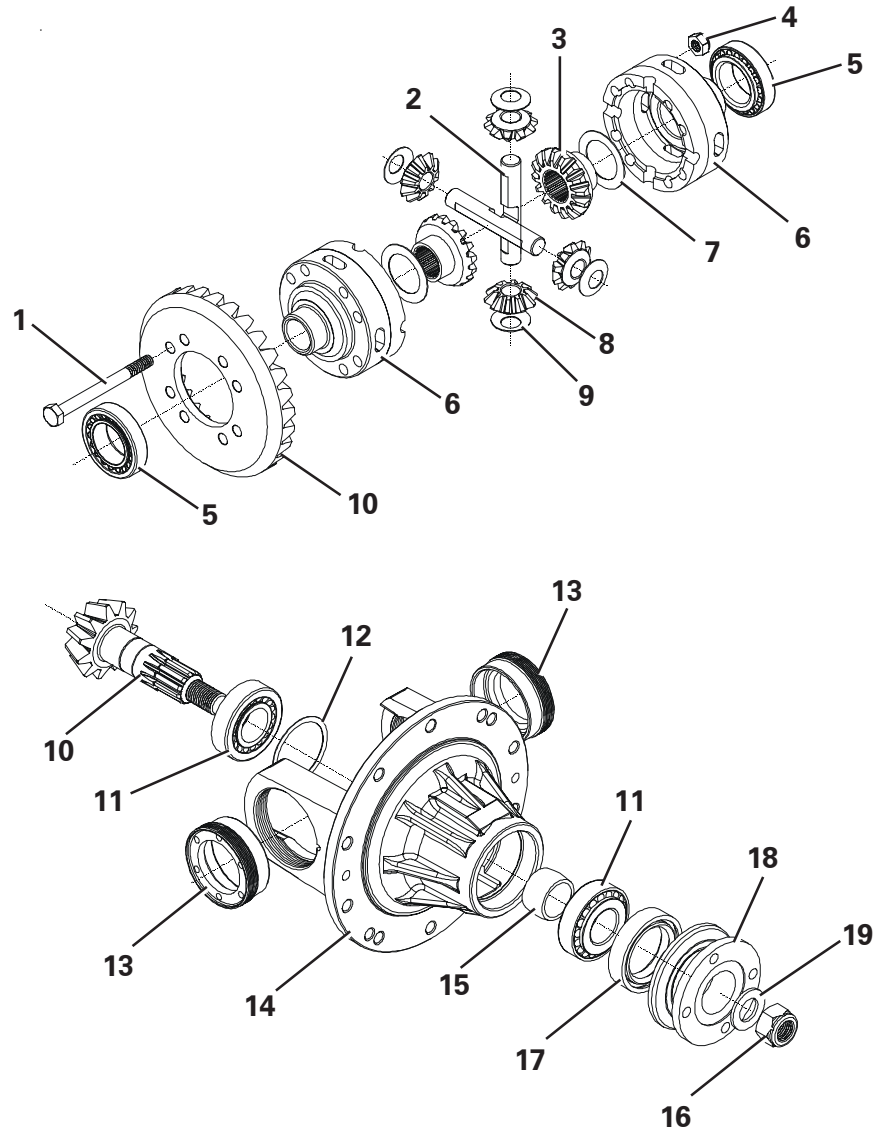
REAR AXLE - MAIN CASE

Item	Part No.	Description	Qty	U/M
A	T101031	REAR AXLE ASSEMBLY	1.0	EA
1	T52749	MAIN CASE	1.0	EA
2	T2872	BRAKE PISTON	2.0	EA
3	T2871	'O' RING	2.0	EA
4	T2870	'O' RING	2.0	EA
5	T52756	ANNULUS	2.0	EA
6*	T53200	SPACER PLATE	2.0	EA
7*	T53197	BRAKE PLATE	4.0	EA
8*	T53198	BRAKE DISC	4.0	EA
9	T52760	SUN GEAR	2.0	EA
10	T52761	DOWEL PIN	6.0	EA
11	T52763	BRAKE LEVER LH	1.0	EA
12	T52764	BRAKE LEVER RH	1.0	EA
13	T52767	BOLT	2.0	EA
14	T2991	NUT	2.0	EA
15	T3038	BLEED NIPPLE	1.0	EA
16*	T53074	PLUG	2.0	EA
17	T50423	BOND SEAL	2.0	EA
18*	T53442	BREATHER	1.0	EA
19	T52751	BRAKE OPERATING LEVER	2.0	EA
20	T2849	SPRING	1.0	EA
21	T2861	SPRING	1.0	EA
22	T52791	'O' RING	2.0	EA
23	T52752	COVER LH	1.0	EA
24	T52753	COVER RH	1.0	EA
25	T52754	SCREW	12.0	EA
26	T50756	'O' RING	2.0	EA
27	T52926	BOLT	10.0	EA
28	T3019	DOWEL PIN	2.0	EA



Rear Axle - Main Case and Brakes - Manual

REAR AXLE - DIFF. ASSEMBLY

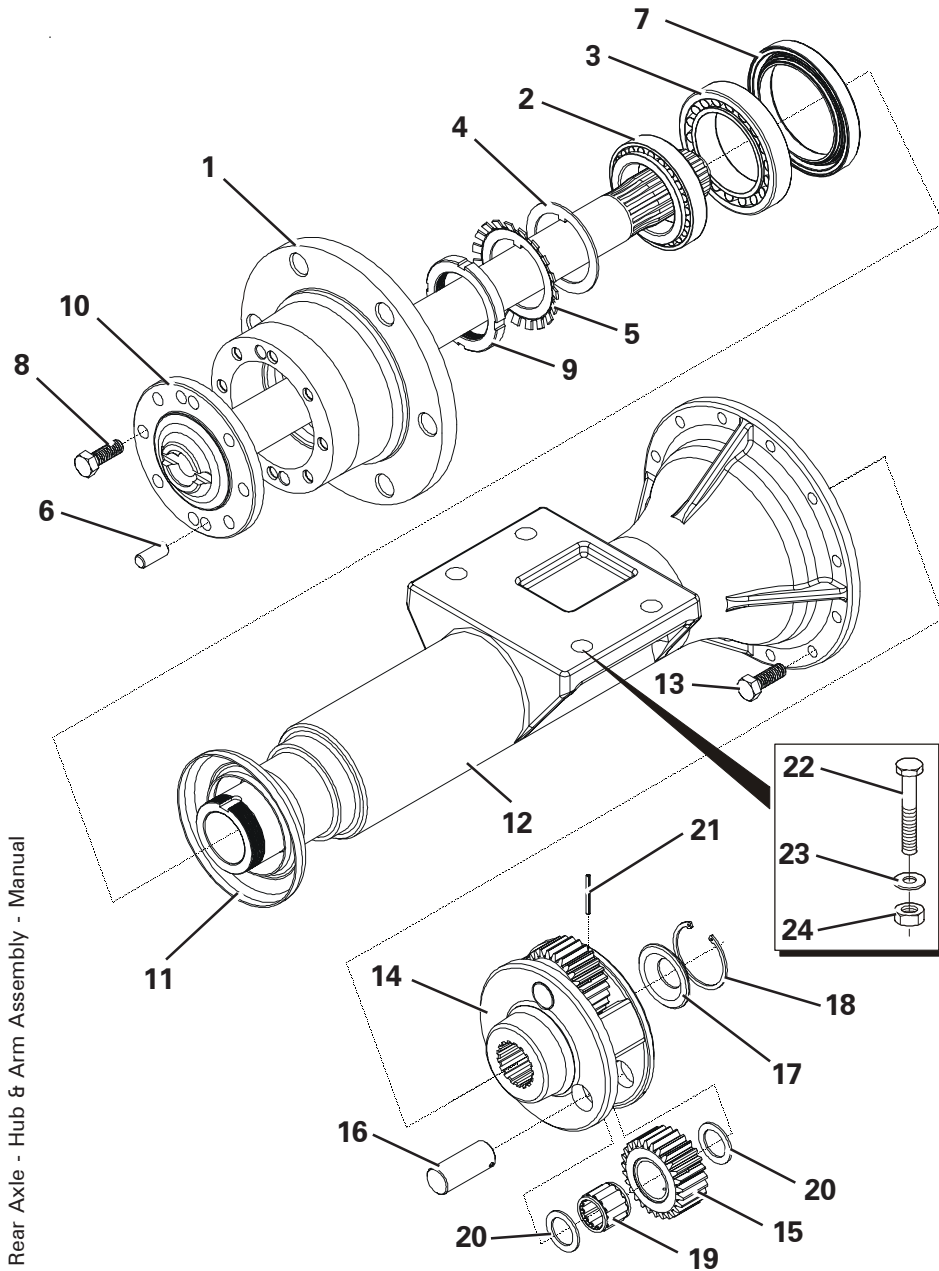


Item	Part No.	Description	Qty	U/M
1	T2886	BOLT	8.0	EA
2	T52733	DIFF SPIDER	2.0	EA
3	T50298	DIFF. WHEEL	2.0	EA
4	T2991	NUT	8.0	EA
5	T3716	TAPER BEARING	2.0	EA
6	T2890	DIFF CASE	1.0	EA
7	T2888	THRUST WASHER	2.0	EA
8	T50299	DIFF. PINION	4.0	EA
9	T3027	THRUST WASHER	4.0	EA
10	T52815	BEVEL WHEEL & PINION	1.0	EA
11	T2893	BEARING	2.0	EA
12	T50302	SHIM 0.25MM	A/R	EA
	T50303	SHIM 0.30MM	A/R	EA
	T50304	SHIM 0.40MM	A/R	EA
13	T52781	ADJUSTER NUT	2.0	EA
14	T52810	PINION CARTRIDGE	1.0	EA
15	T2892	SPACER	1.0	EA
16	T3012	NUT FLANGE	1.0	EA
17	T53054	OILSEAL	2.0	EA
18	T52811	FLANGE	1.0	EA
19	T3013	WASHER	1.0	EA

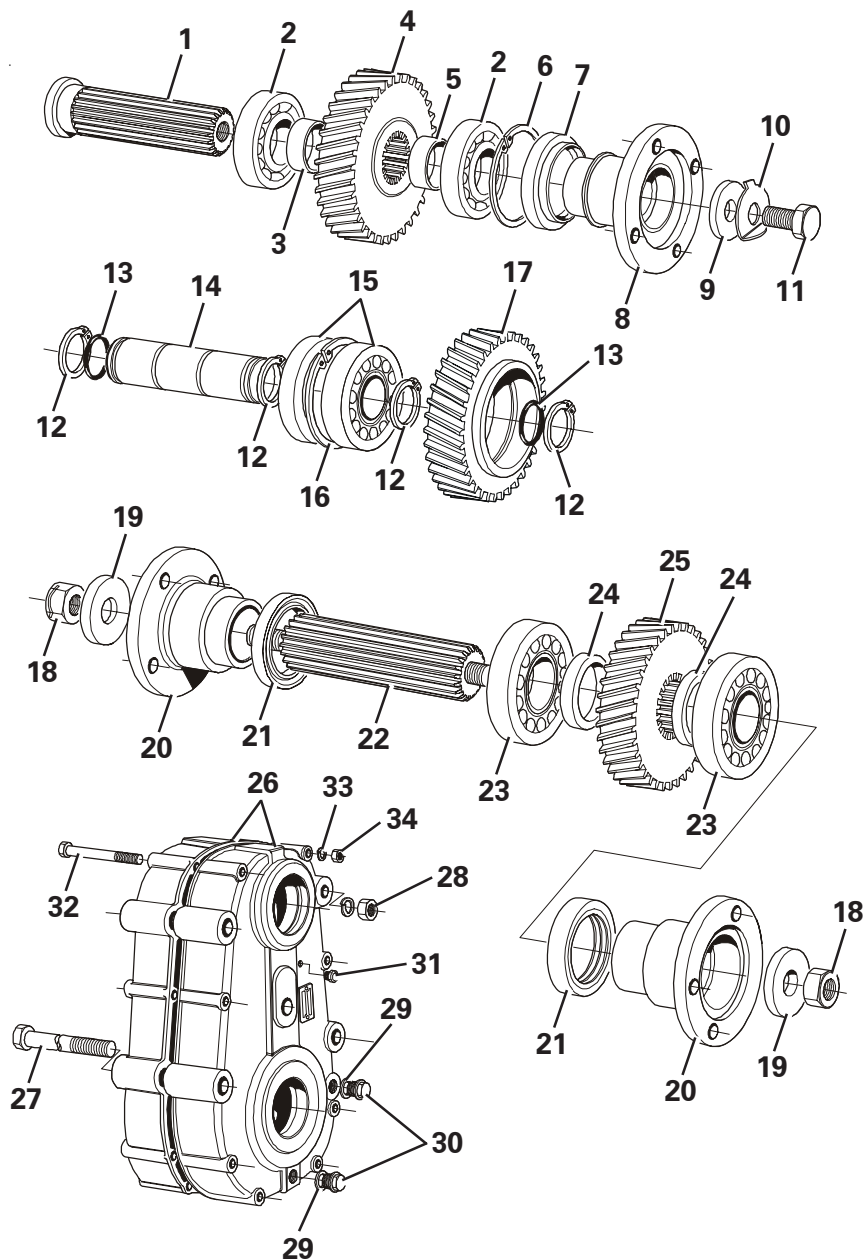
REAR AXLE - HUB & ARM

Item	Part No.	Description	Qty	U/M
1	T52738	HUB	2.0	EA
2	T52740	BEARING	2.0	EA
3	T52741	BEARING	2.0	EA
4	T52742	SPACER	2.0	EA
5	T52743	LOCKWASHER	2.0	EA
6	T52744	DOWEL	4.0	EA
7	T52745	OIL SEAL	2.0	EA
8	T52746	BOLT	16.0	EA
9	T52748	LOCKNUT	2.0	EA
10	T52755	AXLE SHAFT	2.0	EA
11	T52759	HUB SEAL COVER	2.0	EA
12	T52809	AXLE ARM	2.0	EA
13	T52762	BOLT	24.0	EA
14	T52734	PLANET CARRIER	2.0	EA
15	T52735	PLANET GEAR	6.0	EA
16	T52736	PLANET PIN	6.0	EA
17	T50365	SPACER	2.0	EA
18	T2687	CIRCLIP	2.0	EA
19	T52737	NEEDLE BEARING	6.0	EA
20	T50367	THRUST WASHER	12.0	EA
21	T2880	SPRING DOWEL	6.0	EA
22	T11315	BOLT	8.0	EA
23	T100867	PLAIN WASHER	8.0	EA
24	T14910	STOVER NUT	8.0	EA

Rear Axle - Hub & Arm Assembly - Manual

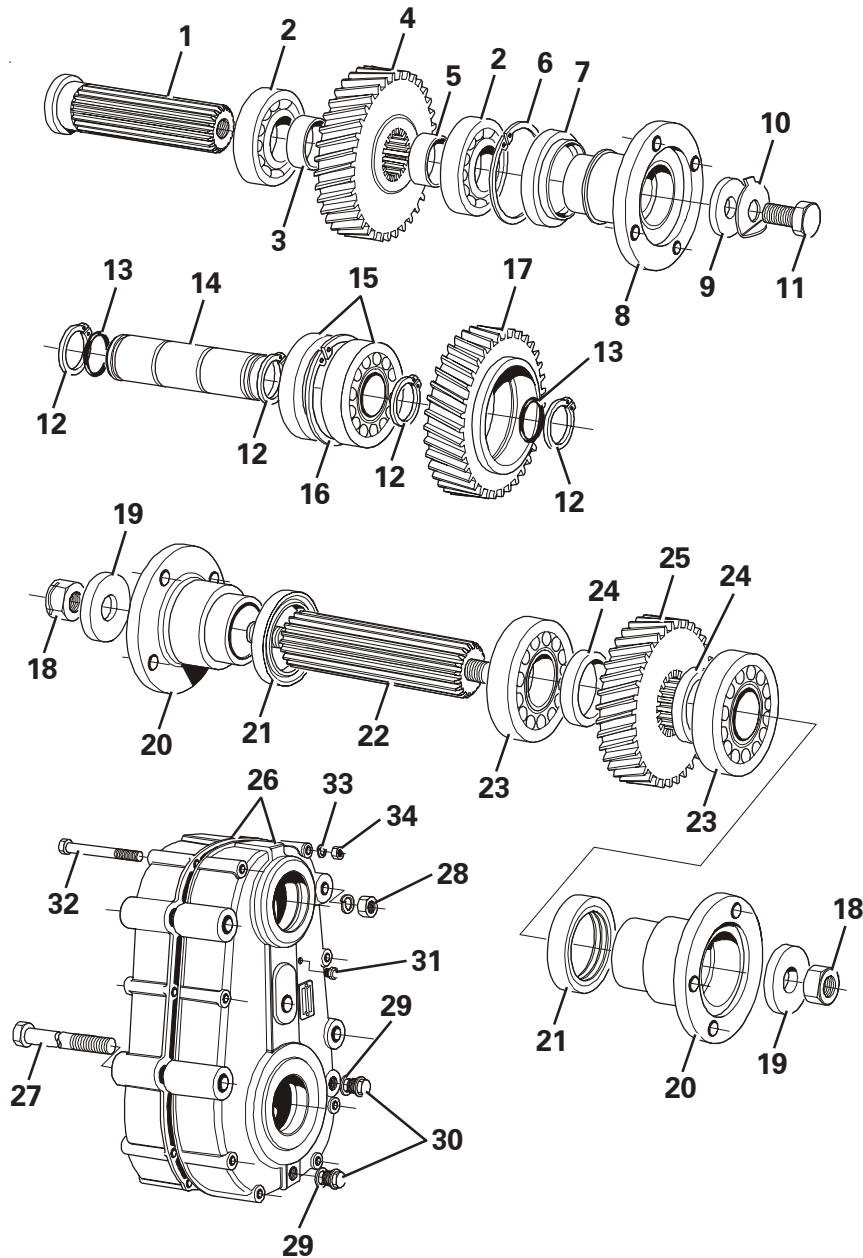


TRANSFER BOX



Item	Part No.	Description	Qty	U/M
A	T12168	TRANSFER BOX ASSEMBLY	1.0	EA
1	T3495	INPUT SHAFT	1.0	EA
2	T4540	BEARING	2.0	EA
3	T3440	SPACER	1.0	EA
4	T2909	INPUT GEAR	1.0	EA
5	T3439	SPACER	1.0	EA
6	T3113	CIRCLIP	1.0	EA
7	T4531	OILSEAL	1.0	EA
8	T4200	COUPLING	1.0	EA
9	T3646	WASHER	1.0	EA
10	T4443	LOCK WASHER	1.0	EA
11	T3483	SCREW	1.0	EA
12	T2379	CIRCLIP	4.0	EA
13	T3446	O RING	2.0	EA
14	T3441	IDLER SHAFT	1.0	EA
15	T4435	BEARING	2.0	EA
16	T4431	CIRCLIP	1.0	EA
17	T2908	IDLER GEAR	1.0	EA

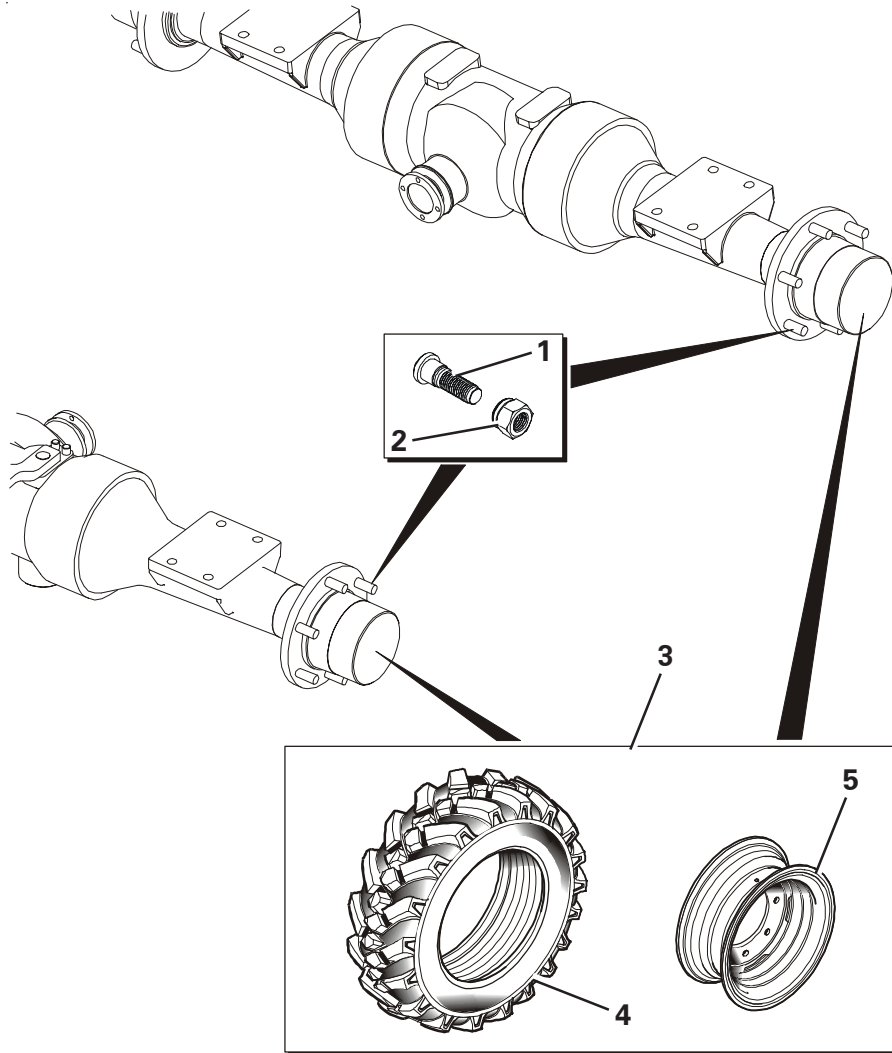
TRANSFER BOX



Item	Part No.	Description	Qty	U/M
18	T3475	NUT	2.0	EA
19	T3477	WASHER	2.0	EA
20	T3487	COUPLING	2.0	EA
21	T3112	OILSEAL	2.0	EA
22	T3490	SHAFT	1.0	EA
23	T3111	BEARING	2.0	EA
24	T3115	SPACER	2.0	EA
25	T3116	GEAR WHEEL	1.0	EA
26	T2823	GEARCASE	1.0	EA
27	T11360	BOLT	4.0	EA
	T14066	COPPER WASHER	4.0	EA
28	T11345	PHILIDAS NUT	4.0	EA
29	T3769	FIBRE WASHER	2.0	EA
30	T3770	PLUG	2.0	EA
31	T4418	BREATHER	1.0	EA
32	T3472	BOLT	8.0	EA
33	T6705	SPRING WASHER	8.0	EA
34	T9775	NUT	8.0	EA

WHEEL ASSEMBLY

Item	Part No.	Description	Qty	U/M
1	T52739	WHEEL STUD	24.0	EA
2	T52747	WHEEL NUT	24.0	EA
3	T100818	WHEEL ASSY	4.0	EA
4	T100819	TYRE	1.0	EA
5	T100677	WHEEL RIM	1.0	EA



OPTIONAL EXTRAS

Part No.	Description	Qty	U/M
T100133	ROTATING BEACON	1.0	EA
T100308	XENON BEACON	1.0	EA
KIT 72	ACCESSORIES - REVERSE ALARM	1.0	EA
KIT 242	ACCESSORIES - ELECTRONIC SHUTDOWN	1.0	EA
T100743	ANTI SLIP PADS (MUDGUARDS)	4.0	EA
T100939	ACCESSORIES - ROPS FRAME KIT	1.0	EA
T100940	ACCESSORIES - HINGED ROPS FRAME KIT	1.0	EA
KIT 265	TRANSFER SET - 4 TONNE	1.0	EA

MODIFIED AND ADDITIONAL PARTS

Old Part No.	Qty	Description	Page	Item	Prefix	New Part No.
ADDED	1.0	MICROSWITCH SPACER	41	30	-	T101186
T4248	2.0	PLUG	37	5	-	T53074
T4248	2.0	PLUG	42	16	-	T53074
T100581	2.0	SKIP STOP	5	8	-	T100302
ADDED	1.0	HYDRAULIC TANK GUARD	18	35	-	T101241
T100757	1.0	BATTERY STRAP TOP	13	20	-	T100432
T100624	1.0	RADIATOR	34	4	2	T101364
T53051	1.0	RADIATOR COWL	34	22	2	T53107
T100212	2.0	HINGE WITH GREASE NIPPLE	4	13	-	DELETED
ADDED	1.0	HINGE RH (WITH GREASE NIPPLE)	4	13	-	T101780
ADDED	1.0	HINGE LH (WITH GREASE NIPPLE)	4	32	-	T101779
T19788	1.0	ADAPTOR	18	26	-	DELETED
T52694	1.0	SUCTION ELEMENT	18	27	-	T101240
T14282	4.0	ENGINE MOUNT	31	8	3	T14564
T12858	4.0	BOLT	12	12	3	T101725
T7631	4.0	PHILIDAS NUT	12	13	3	T101724

MODIFIED AND ADDITIONAL PARTS TO AXLES - T100544

Old Part No.	Qty	Description	Page	Item	Serial No.	New Part No.
T52750	1.0	BREATHER	37	4	-	T53442

MODIFIED AND ADDITIONAL PARTS TO AXLES - T101031

Old Part No.	Qty	Description	Page	Item	Serial No.	New Part No.
T52757	2.0	SPACER PLATE	42	6	1673090	T53200
T52758	4.0	BRAKE PLATE	42	7	1673090	T53197
T2854	4.0	BRAKE DISC	42	8	1673090	T53198
N/A	1.0	BRAKE PLATE KIT (CONSISTING THE ABOVE)	42	6,7,8	1673090	KIT 281

NEW AND OLD PARTS MUST NOT BE MIXED. PLEASE ORDER KIT 281 WHEN REPLACING OLD PARTS.

T52750	1.0	BREATHER	42	18	-	T53442
--------	-----	----------	----	----	---	--------

Service and Warranty

Thwaites give a warranty which, subject to certain conditions, gives an assurance as to the quality of their product.

The Thwaites warranty states:-

In the manufacture of Thwaites machines we endeavour to ensure that only the best workmanship and materials are used. Consequently, provided:-

1. The machine has been properly used in accordance with our recommendations and,
2. That no alterations have been made to the machine without prior written approval and,
3. That the machine has been maintained, serviced and lubricated in accordance with our recommendations and,
4. That Thwaites Warranty Certificate and/or New Machine Delivery Report has been completed and received by Thwaites within one month of delivery to the user.
5. That Thwaites receive a correctly completed Warranty Claim form within thirty days of the failure occurring.
6. **UK**
That the alleged defective parts are returned to Thwaites within 6 weeks of date of failure.
7. **All other territories**
That unless otherwise instructed the alleged defective parts are to be stored for inspection for a 6 month period from date of failure.

We will examine the alleged defective part and if we are reasonably satisfied that any defect is solely due to bad workmanship or materials, we will at our cost and at our option either repair any defective part or supply a replacement part in full discharge of all obligations upon us.

This warranty does not, however, extend to reconditioned or second-hand machines. For the avoidance of doubt, we will not entertain any other claims of a direct or consequential nature of whatsoever description and our responsibility is limited to the above.

The above warranty shall in no way detract from your statutory rights

Warranty

It is important to use only genuine Thwaites Limited spare parts and to adhere strictly to the conditions of operation and maintenance laid down by Thwaites Limited.

Your warranty may be invalidated if you do not comply with the above recommendations.